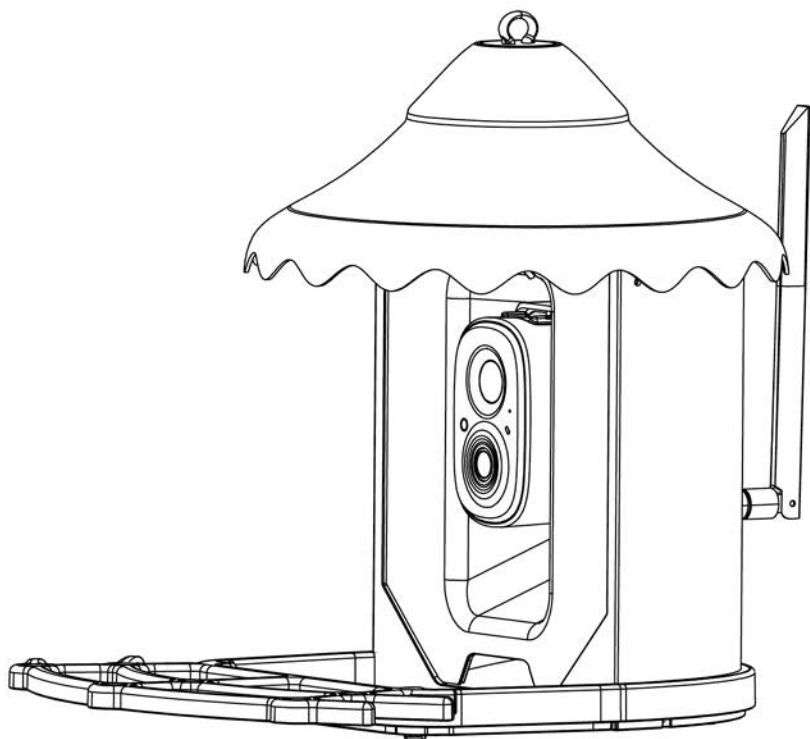




BIRDSVIEW

Birdwatching, anytime, anywhere.



EN

DE

ES

AR

User Manual

FC CE  
Made in China
FCC ID : 2AXEK-N003

Warning:

NOTE: This equipment has been tested and found to comply with the limits for a Class B digital device, pursuant to Part 15 of the FCC Rules. These limits are designed to provide reasonable protection against harmful interference in a residential installation. However, there is no guarantee that interference will not occur in a particular installation. If this equipment does cause harmful interference to radio or television reception, the user is encouraged to try to correct the interference by one or more of the following measures:

- Reorient or relocate the receiving antenna.
- Increase the separation between the equipment and receiver.
- Connect the equipment into an outlet on a circuit different from that to which the receiver is connected.
- Consult the dealer or an experienced radio/TV technician for help.

The antennas used for this transmitter must be installed to provide a separation distance of at least 20cm from all persons and must not be co-located for operating in conjunction with any other antenna or transmitter.

FCC (USA) 15.9 Prohibition Against Eavesdropping:

Except for the operations of law enforcement officers conducted under lawful authority, no person shall use, either directly or indirectly, a device operated pursuant to the provisions of this part for the purpose of overhearing or recording the private conversations of others unless such use is authorized by all parties engaging in the conversation.

Changes or modifications not expressly approved by the party responsible for compliance could void the user's authority to operate the equipment.

IC Caution:

This device contains license-exempt transmitter(s)/receiver(s) that comply with Innovation, Science, and Economic Development Canada's license-exempt RSS(s). Operation is subject to the following two conditions:

- This device may not cause interference.
- This device must accept any interference, including interference that may cause undesired operation of the device.

To maintain compliance with FCC RF exposure guidelines, this equipment must be installed and used with a minimum separation distance of 20 cm between the radiator and your body; use only the antenna provided.

CE RED: This product can be used across EU member states.

Need help? Reach out to us:

Email: info@view-birds.com

Phone: +1 302 476 2457

Warranty

Share your Amazon Order # with us at info@view-birds.com to activate 2 Year Warranty and receive a 10% OFF Code for your next purchase!



Scan to
register warranty



BirdsViewHQ



BirdsviewHQ



Birdsview425



PetTerraOfficial



<https://www.pinterest.com/birdsviewhq/>




















<https://www.youtube.com/@BirdsViewHQ>

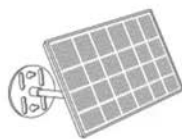
TABLE OF CONTENTS

What's In the Box	05
Camera Structure	06
Insert Micro SD Card	08
Assemble Bird Feeder	09
Charging the Camera	12
How To Turn On & Off the Camera	13
Read Before Installation	14
Set Up with VicoHome App	14
Installation	18
Installation of Solar Panels	22
Cleaning Bird Feeder Cam	26
How to Add Bird Seed	29
FAQ	30

What's in the Box

 Roof	 Perch	 X 2	
Roof	Perch	Perch Screw	Feeder & Camera
	 X 2		
Mounting Bracket	Black Strap	Ejector Pin	
 X 2	 X 2	 X 2	 X 3
Hose Clips (Small)	Hose Clips (large)	Screws for mounting on wood	Anchors
	 X 2		
	Screws for mounting on concrete	Type-C charging cable	
			
Humming Bird Feeder	Fruit Fork	Vicohome App User Guide	User Manual

Solar Panel Installation Kit



Solar Panel



Screws & Anchors



Installation Bracket
Back of Solar Panel

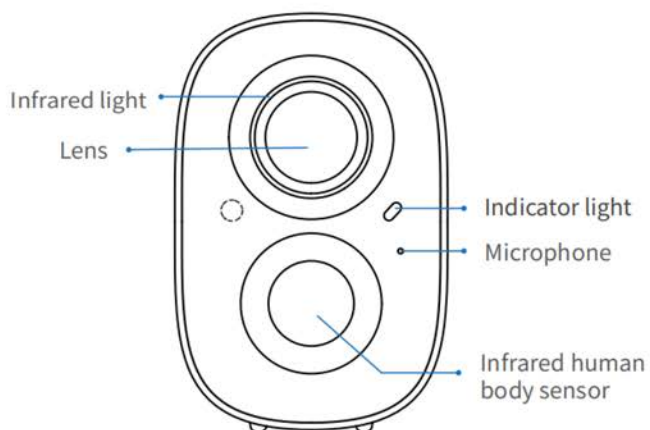
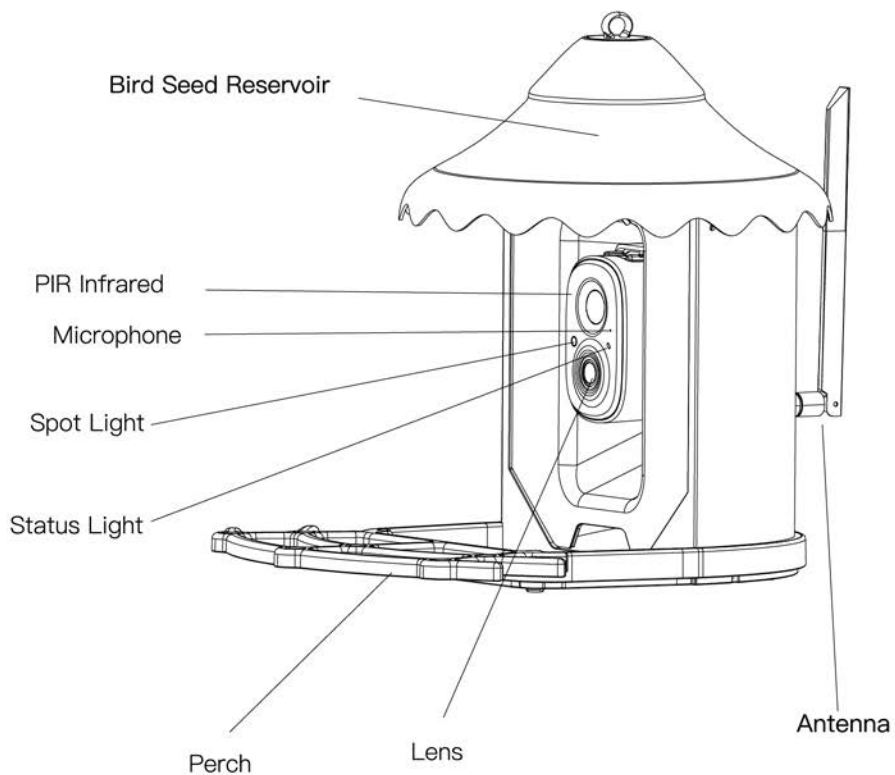


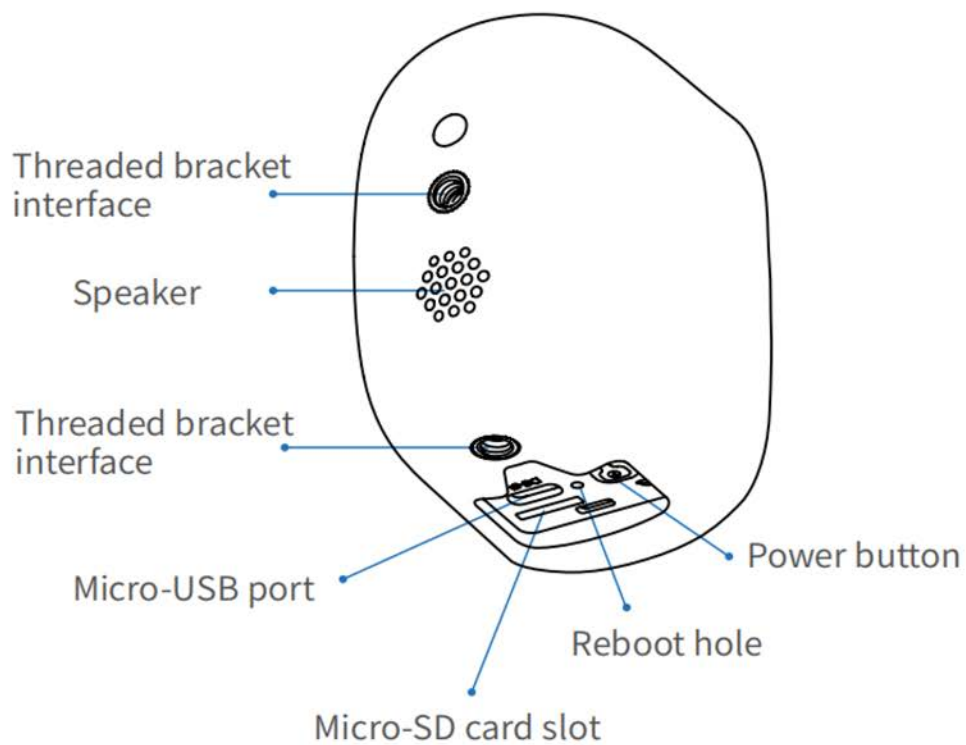
Installation Bracket



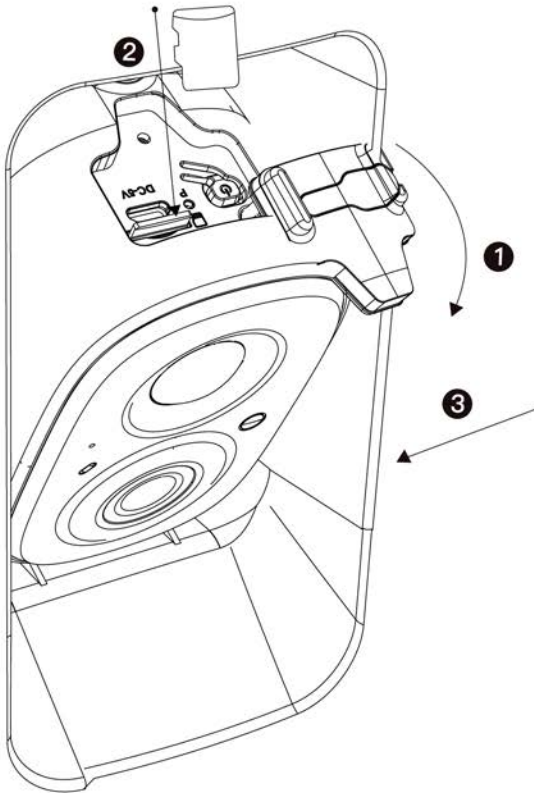
Installation Bracket
Top of the Birdsvie

Camera Structure





Insert Micro SD Card

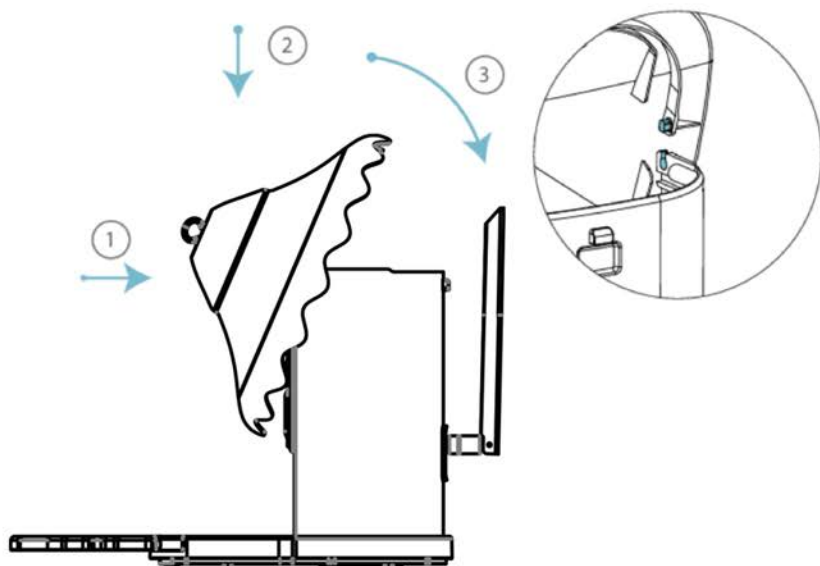


BirdsView Bird Feeder features a built-in card slot compatible with microSD cards, offering storage capacities of up to 128GB.

- Step 1: Rotate the camera downwards.
- Step 2: Open the silicone cover and insert the microSD card, ensuring it is correctly positioned with the label facing upward.
- Step 3: Replace the silicone cover securely.

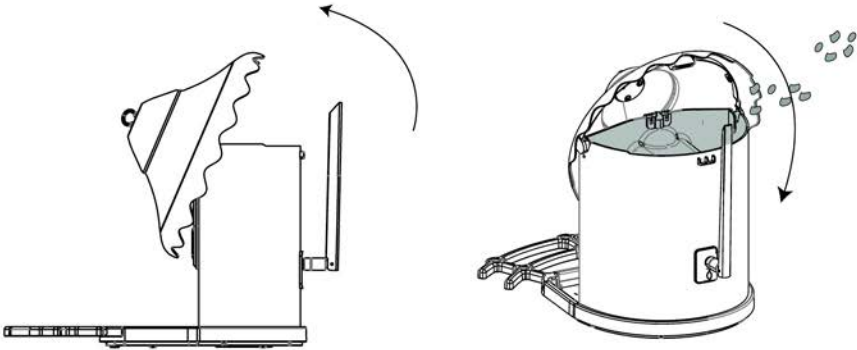
Assemble Bird Feeder

Assemble the Roof



- Step 1: Position the side of the roof with the buckles facing up. Align the small pillars on both the left and right sides with the buckles of the white bird seed container.
- Step 2: Press down firmly to insert.
- Step 3: Rotate the roof back to secure the buckle behind the white bird seed container.

Filling the Feeder with Seeds



Ensure your feathered guests are treated to their favorite snacks by following these steps:

1. Press the button to unlock the roof of the feeder.
2. Fill the feeder with a variety of seeds that birds enjoy, such as White Millet, Black Oil Sunflower Seed, Cracked Corn, Milo, Striped Sunflower Seed, and Safflower Seed.

Assembling the Bird Stand (Perch)

To properly set up the bird stand for your Birds View feeder, follow these steps:

- Utilize the provided bird stand screw to securely install the bird stand in the desired location. Ensure the stand is positioned stably to support the feeder and provide a safe resting spot for visiting birds. Use appropriate tools to tighten the screw for optimal stability and durability.

By following these assembly instructions, you can ensure that your Birds View feeder is properly equipped with a sturdy and reliable bird stand, enhancing the overall functionality and appeal of your bird-watching setup.



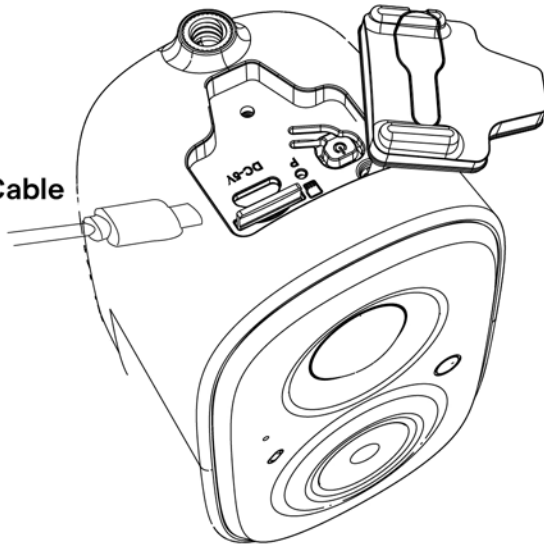
Charging the Camera

Prepare your Birds View camera for optimal functionality by ensuring that the batteries are fully charged prior to use. Begin by charging the camera using the provided Type C Port Cable (DC5V / 1.5A adapter not included).

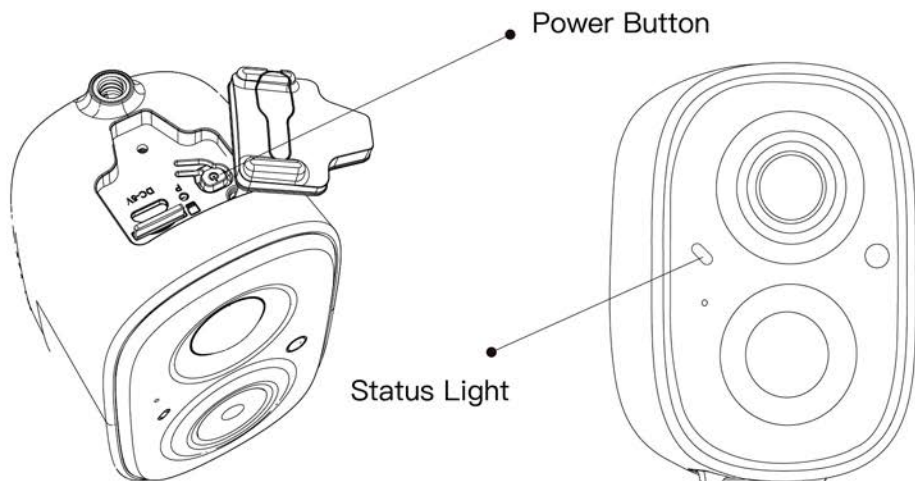
While charging, observe the status light, which will emit a solid yellow glow, indicating that the camera is currently charging. Once the charging process is complete, the status light will turn solid green. Typically, this process takes approximately 14 hours. It is essential to keep the camera connected to the power source until the status light shifts to green, indicating that the charging process has concluded. With a fully charged camera, you are equipped to effortlessly capture and document captivating moments of bird activity.

1. Open Silicone

2. Insert Type-C Cable



How To Turn On & Off the Camera



To turn on the camera:

Press the power button to awaken your camera. Once the blue light flashing and you hear a pleasant chirp, your camera is ready to connect.

To turn off the camera:

Long press the power button for 3s to turn off the camera. Then the Status Light in the front of the camera will be off.

Status Light: Birdsvision camera users status light to communicate.

	LED Indicator	Description
	Solid Blue	Recording
	None	Sleep/Power Off
	Solid Yellow	Charging
	Solid Green	Charging Finished

Read Before Installation

Safety Precautions:

- Keep Birdsvie Feeder and all accessories out of reach of children and pets.
- Ensure the camera has been fully charged with a DC5V / 1.5A power source.
- Operating temperature ranges from -10°C to 50°C (14°F to 122°F).
- Operating relative humidity: 0-95%.

Important Notes:

- Avoid exposing the camera lens to direct sunlight.
- The camera holds an IP65 waterproof rating, enabling proper functionality in rain or snow, but it should not be submerged in water.
- Birds View Feeder Cam only functions with 2.4GHz Wi-Fi.
- Strong light sources may interfere with the device's QR code scanning capability.
- Place the device away from furniture or microwave products and ensure it remains within range of your Wi-Fi signal.

Set Up with VicoHome App

To begin, download the VicohomeApp from either the App Store or Google Play. Follow the in-app instructions to complete the setup process seamlessly.



Note: For additional information on installing the Vicohome app, please refer to the Vicohome installation manual.



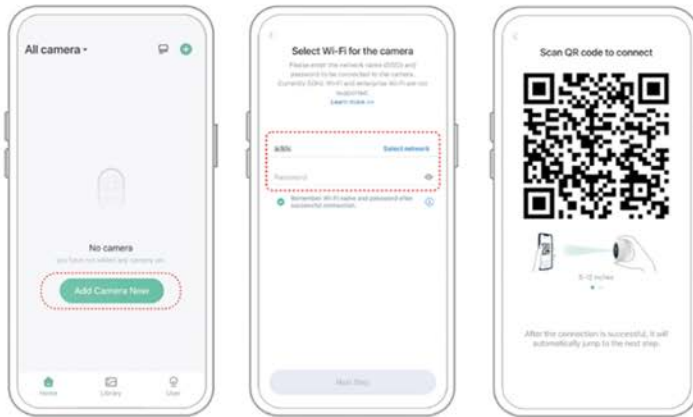
Power On/Off and Network Configuration:

- Press the power button to awaken your camera. Once the blue light flashing and you hear a pleasant chirp, your camera is ready to connect.

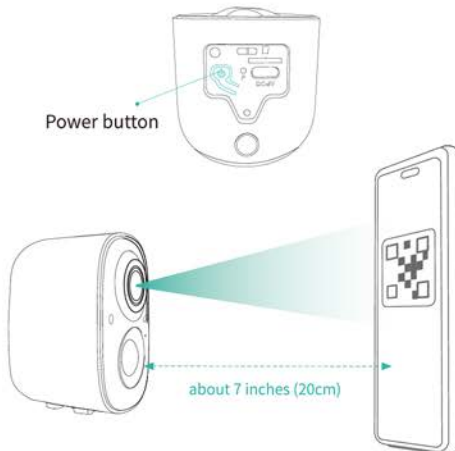


When connecting the camera for the first time use the app and follow the instruction to configure the camera network.

Set up the camera



1. Click on “Add Camera Now” in the app and enter the Wi-Fi network name and password that you want the camera to connect to. To ensure longer distance connection, the camera only supports 2.4GHz Wi-Fi with stronger wall penetration capability and does not support Wi-Fi for enterprise-level authentication currently. Please ensure that the entered Wi-Fi meets the requirements. After completion, click “Continue” to generate the QR code for pairing the camera.



2. After pressing the camera’s switch for 3 seconds, the camera will turn on. At this moment, target the camera at the QR code on the mobile app from a distance of approximately 20 cm (7 inches) until the camera emits a “Di” sound, indicating that scanning has succeeded and pairing is started.



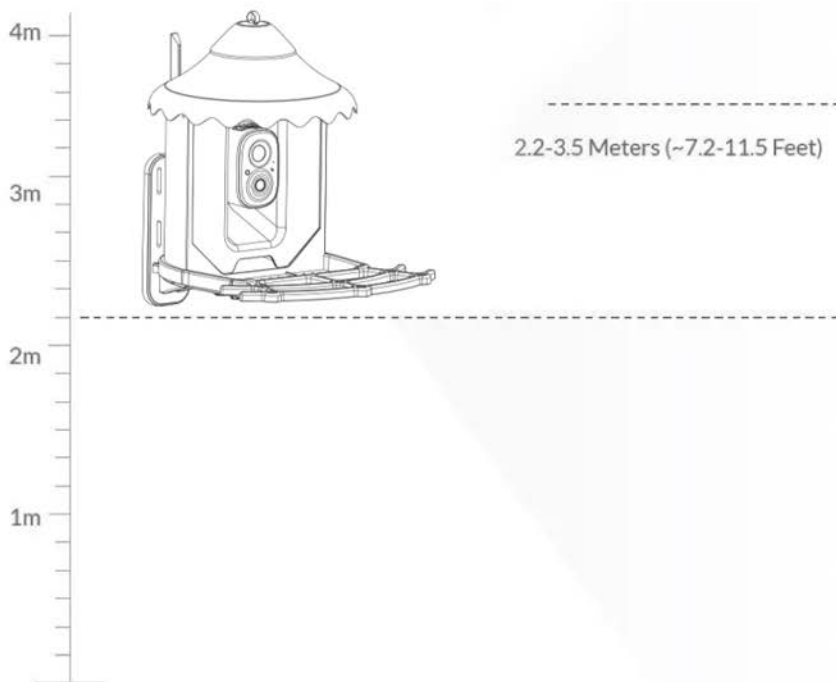
3. After a while, the camera will emit a prompt sound indicating a successful connection. At this moment, please set a name for the device on the app and select the location where you want to place the device. Click on "continue" to complete the pairing process.

Installation

Before proceeding with the installation, ensure the following:

A. Integration with Vicohome App: Confirm that your BirdsView Camera has been successfully added to your Vicohome App and is capable of streaming video.

B. Choosing a Suitable Location: Install the camera in an unobstructed position to ensure optimal visibility. Ensure it remains within the coverage range of your Wi-Fi network.

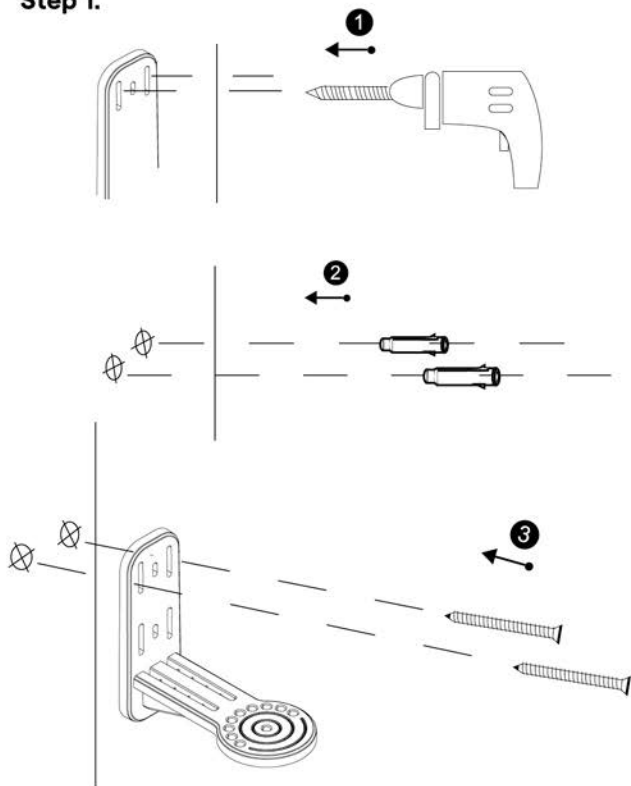


C. Recommended Height: For optimal bird visibility, we recommend installing the camera at a height ranging from 2.2 to 3.5 meters (7.2 to 11.5 feet). Placing it in an open area facilitates bird discovery.

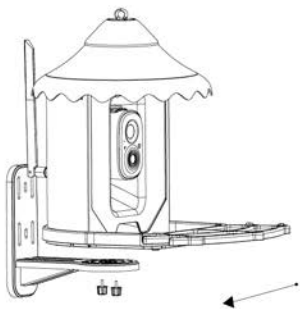
D. Installation Methods: BirdsView Camera offers three installation methods to accommodate various preferences and environments. Choose the method that best suits your needs and surroundings.

Wall/Stand Installation:

Step 1.



1. Use the provided drilling template to mark the position of holes on your wall. Drill two holes using a 5/16" (8mm) drill bit.
2. Install anchors to fix the screws.
3. Install the Birdview Feeder Bracket on your wall with the screws provided.

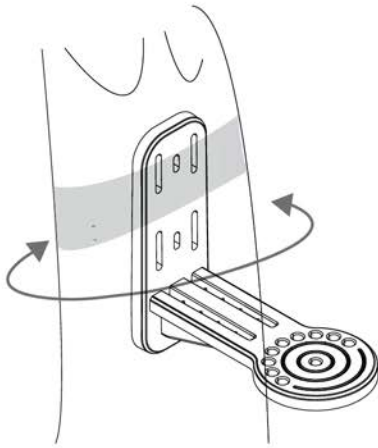


Step 2.

Slide the Birds view Feeder into the bracket through the slide rail.

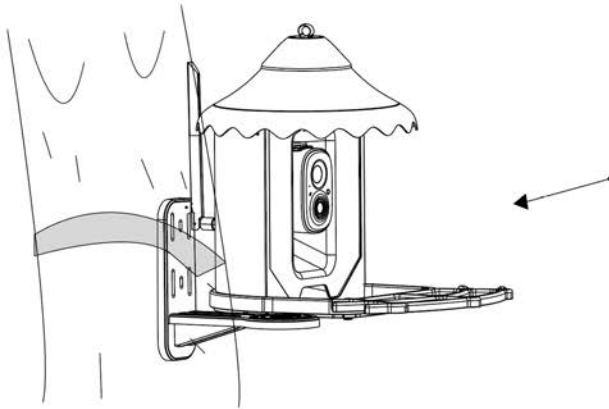
Use the Perch Screws to lock it from the bottom.

Tree Installation:



Step 1

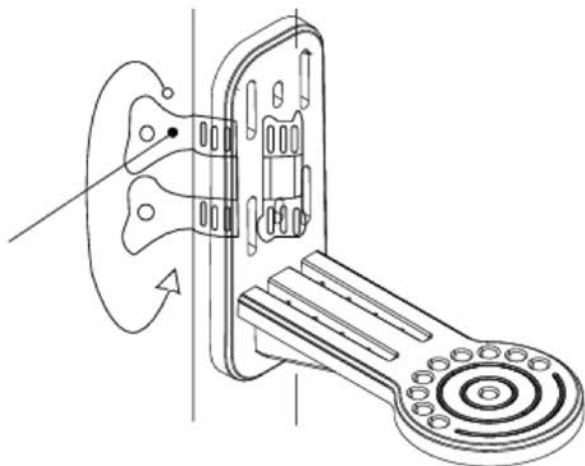
Wrap the Birds Feeder Bracket around the tree using the black strap.



Step 2

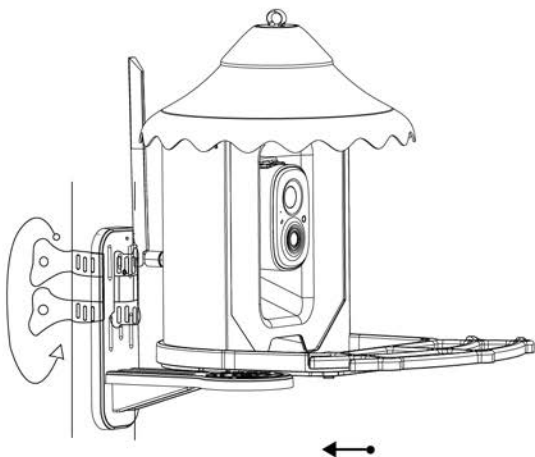
Slide the Birdsview Feeder into the bracket. Use the Perch Screws to lock it from the bottom.

Pole Installation (Hose Clip)



Step 1

Attach Birds view Feeder to the pole with the Hose Clip turning the handle clockwise.



Step 2:

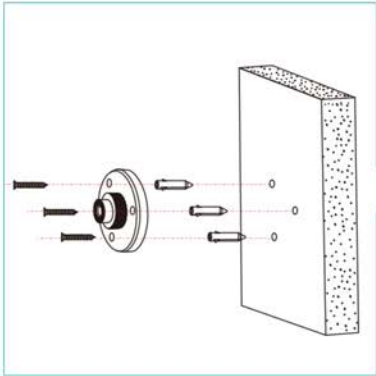
Slide the Birds View Feeder into the bracket through the slide rail. Use the Perch Screws to lock it from the bottom.

Step 3 :

Tighten the hose clips by turning the handles clockwise.

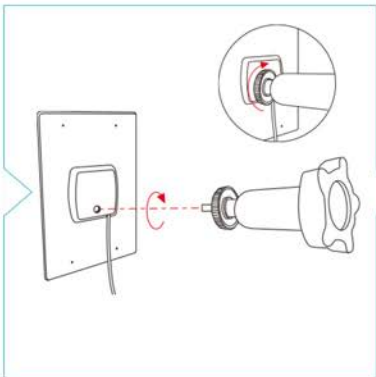
Installation of Solar Panel

Option 1: Standalone Mounting



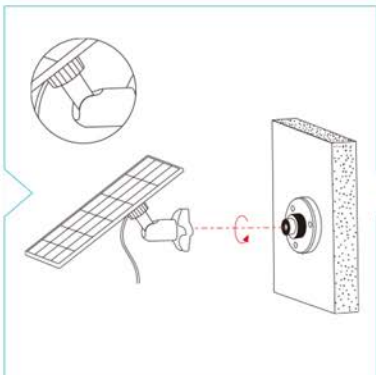
Step 1

Fix the mounting base with the screws included.



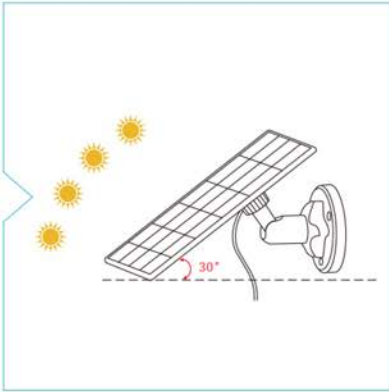
Step 2:

Screw the solar panel to the bracket.



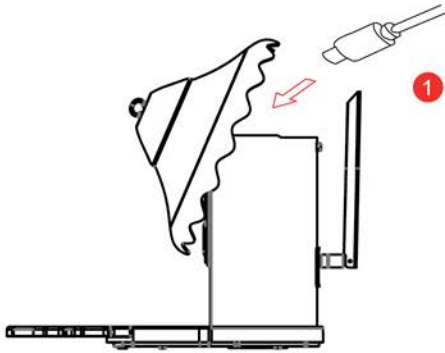
Step 3:

Attach the panel to the base.



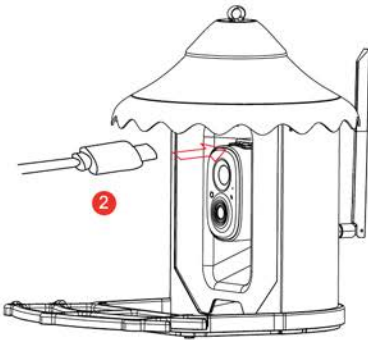
Step 4:

Adjust the angle to maximize sunlight exposure.



Step 5:

Connect the solar panels to the charging port of the bird feeder with the equipped 3-meter long Type-C charging cable.



Option 2: Mounting on Top of the Bird Feeder



Step 1: Cable Connection

Plug the solar panel's cable securely into the camera, ensuring it's routed neatly from the feeder's back. Make sure it passes through designated areas for proper feeder closure.



Step 2: Close Feeder Roof

Securely shut the roof of the bird feeder to prepare for installation.



Step 3: Attach Solar Panel Bracket

Connect the solar panel bracket to the solar panel in preparation for mounting.



Step 4: Connect Solar Panel Holder

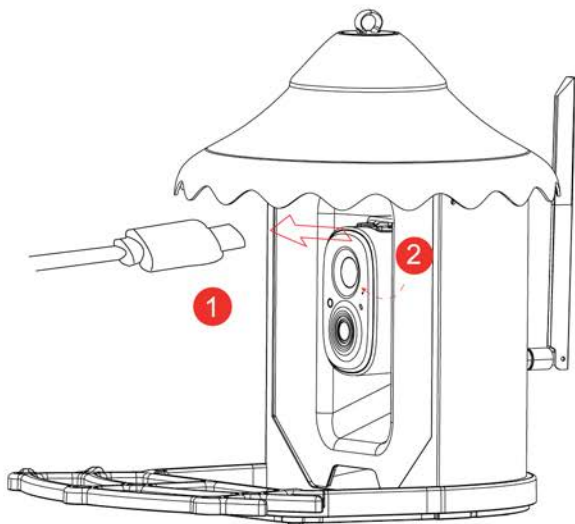
Identify the designated mounting point at the top of the feeder as shown below. Attach the solar panel holder to the feeder's roof for stability during installation.



Step 5: Secure Solar Panel

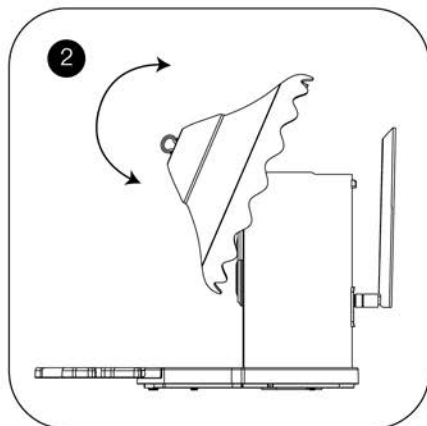
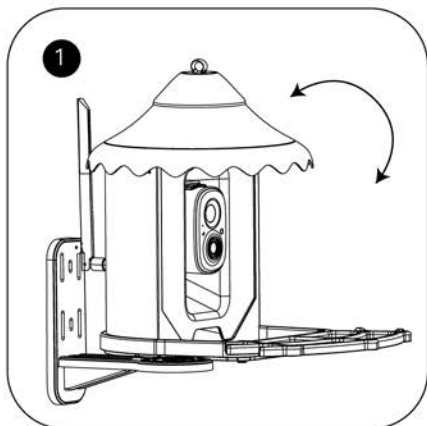
Fasten the solar panel securely onto the feeder, completing the installation process.

Cleaning Birdsvie Feeder Camera

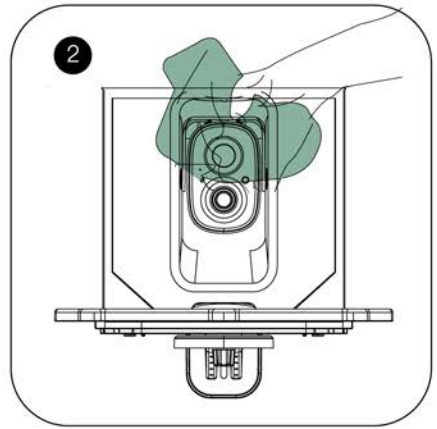
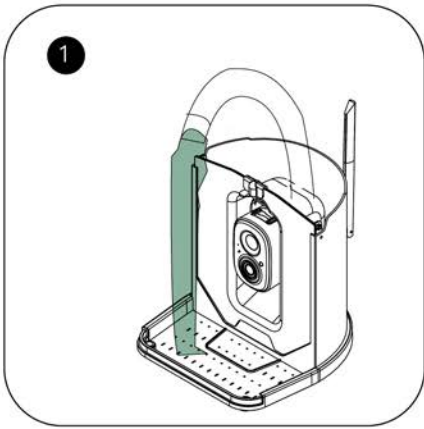


Step 1: Unplug the charging cable and put on the silicone cover.

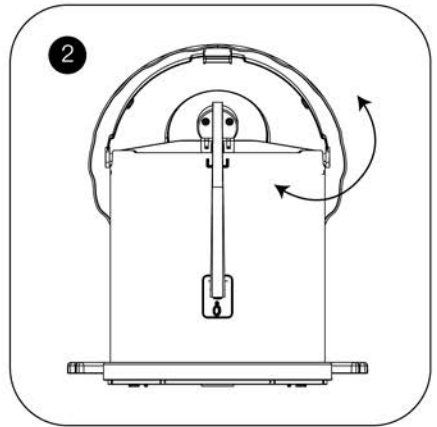
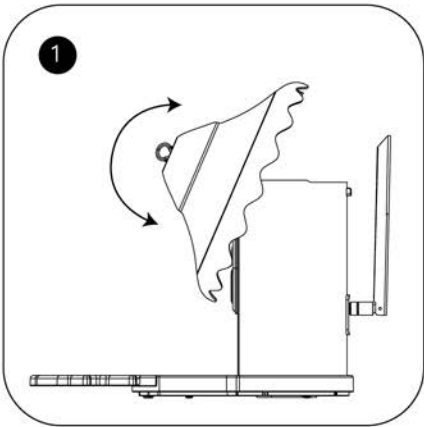
Step 2: Using the Pull Tab on the base of the feeder, remove the Birdsvie Feeder camera from the bracket.



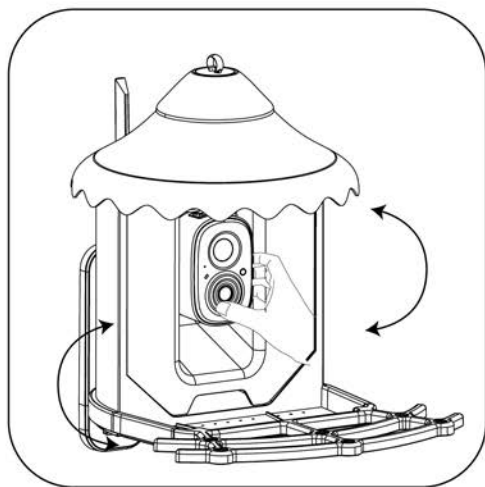
Step 3: Open up the buckle on the back of the Birdsvie Feeder, and pull up on the roof to open.



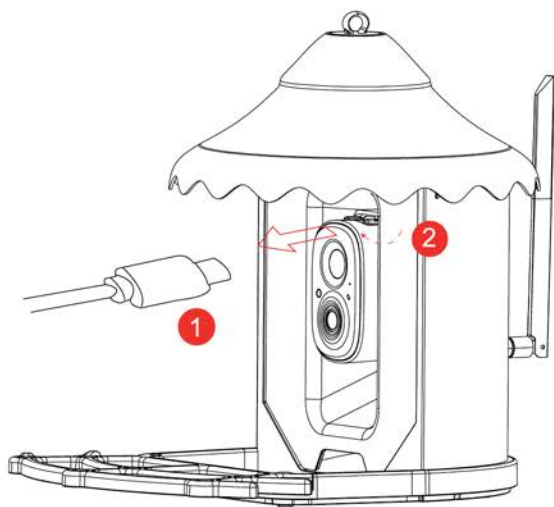
Step 4: Pour water into the top of the seed reservoir. Do not wash the camera or any of its components. They are water resistant, not water-proof. Dry the feeder, including the seed reservoir.



Step 5: Re-attach the Roof: Push the roof down and engage the snaps on the back of the Birdview Feeder.



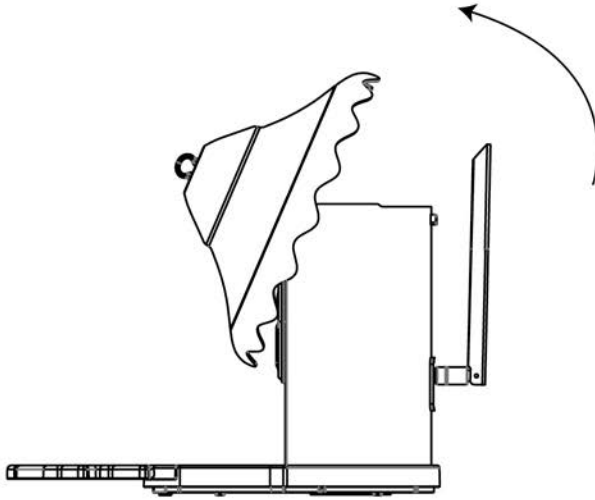
Step 6: Re-attach the bracket to the Birds View Feeder base. Adjust the angle for both the Bird Feeder and camera.



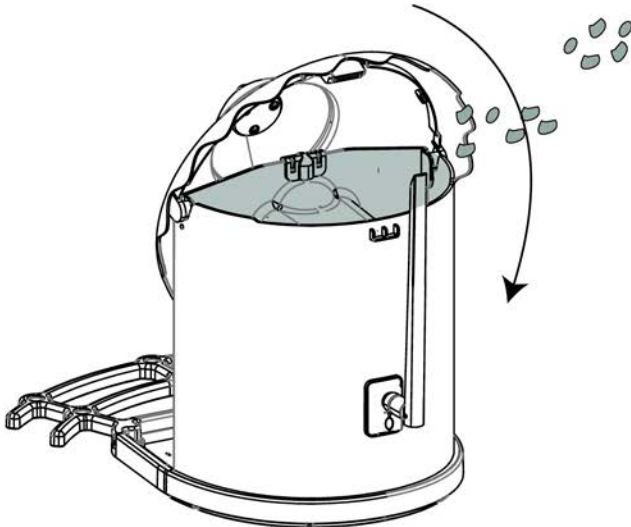
Step 7: Open the silicone plug, re-plug in the Solar Panel.

How to Add Bird Seed

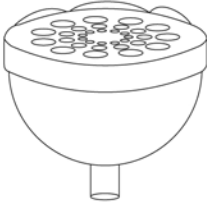
Step 1: Open up the buckle on the back of the Birdsvew Feeder, and pull up on the roof to open.



Step 2: You can add bird seed. Finally, close the roof back.



Using the Humming Bird Feeder

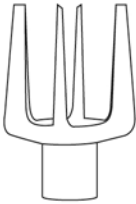


Birdsview bird feeder comes with a specially designed humming bird feeder to attract more birds. You can place honey on it.

Step 1: Twist off the humming bird feeder cap. You can pour in honey. Twist it tight again.

Step 2: Insert the humming bird feeder onto the perch.

Using the Fruit Holder



Birdsview bird feeder comes with a specially designed fruit holder to attract more birds. You can place oranges, apples, or other types of fruit on it.

Step 1: Securely screw the fruit holder onto the Bird Perch, ensuring it is tightly fastened to prevent it from falling.

Step 2: Insert the fruit onto the holder.

FAQs

Q: Can you recharge the Camera from home electricity with a plug or USB?

A: Yes, you should recharge the Camera from home electricity using a plug or USB, even before setting it up outside. The camera does not come fully charged due to safety regulations. Before using it for the first time, please charge it for 14 hours with the charging cable inside the box (DC5V / 1A). Birds View provides free storage for up to 3 days. Additionally, users can extend storage by subscribing to a storage plan or using an SD card for local storage.

Q: Is there a trial plan to try out the AI features?

A: Yes, you can explore our 30-day free trial of the Awareness Plus Plan, which includes complimentary cloud storage and AI bird recognition and alerts.

Q: How hard is this to clean the camera?

A: You only need to wipe the camera lens a couple of times a year.

Q: Will it hold up to rainy weather?

A: The camera is protected by the roof and is set back in the plastic food holder, but it may need to be wiped occasionally.

Q: What kind of bird food would you suggest?

A: Black sunflower seeds are a good option.

Q: What food should I prepare for the birds?

A: Many birds like sunflower hearts or black oil sunflower seeds. Some also enjoy unsalted peanuts.

Q: Will this support a bald eagle?

A: Probably not if it's jumping on and off it regularly.

Q: What app does it use for viewing?

A: It uses the Vicohome app. Refer the Vicohome installation guide for more information.

Q: Is a micro SD card required for the unit to work?

A: No, a microSD card is not required for the unit to work, but it is necessary if you want to save your videos.

Q: Will this work for viewing hummingbirds?

A: Yes, it will. Simply connect the hummingbird feeder that comes inside the box. Hummingbirds typically do not eat seeds.

Q: Can we see birds eating at night?

A: The camera has a night vision function, so you can see birds at night, but they generally do not eat at night. You can see them resting instead.

Q: Can you turn off notifications?

A: Yes, you can turn off notifications in the settings on the Vico Home app.















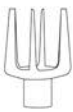


Q: Is this compatible with Android devices and iOS?

A: Yes, it is compatible with most Android and iOS devices, such as phones and tablets.

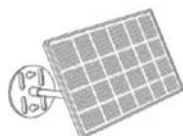
INHALTSVERZEICHNIS

Was ist in der Box.....	05
Kamerastruktur	06
Micro-SD-Karte einlegen.....	08
Vogelhäuschen zusammenbauen.....	09
Aufladen der Kamera.....	12
So schalten Sie die Kamera ein und aus.....	13
Vor der Installation lesen.....	14
Einrichten mit der VicoHome-App.....	14
Installation.....	18
Installation von Solarmodulen.....	22
Vogelfutterhäuschenkamera reinigen.....	26
So fügen Sie Vogelfutter hinzu	29
FAQ.....	30

Was ist in der Box

 Roof		 X 2	
Roof	Perch	Perch Screw	Feeder & Camera
	 X 2		
Mounting Bracket	Black Strap	Ejector Pin	
 X 2	 X 2	 X 2	 X 3
Hose Clips (Small)	Hose Clips (large)	Screws for mounting on wood	Anchors
	 X 2		
	Screws for mounting on concrete	Type-C charging cable	
			
Humming Bird Feeder	Fruit Fork	Vicohome App User Guide	User Manual

Solarmodul-Installationskit



Sonnenkollektor



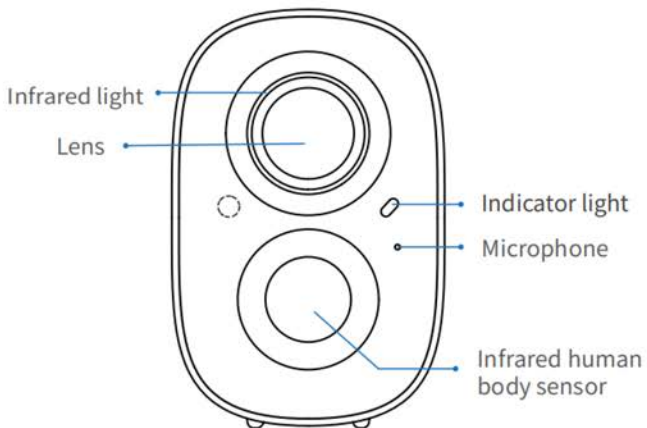
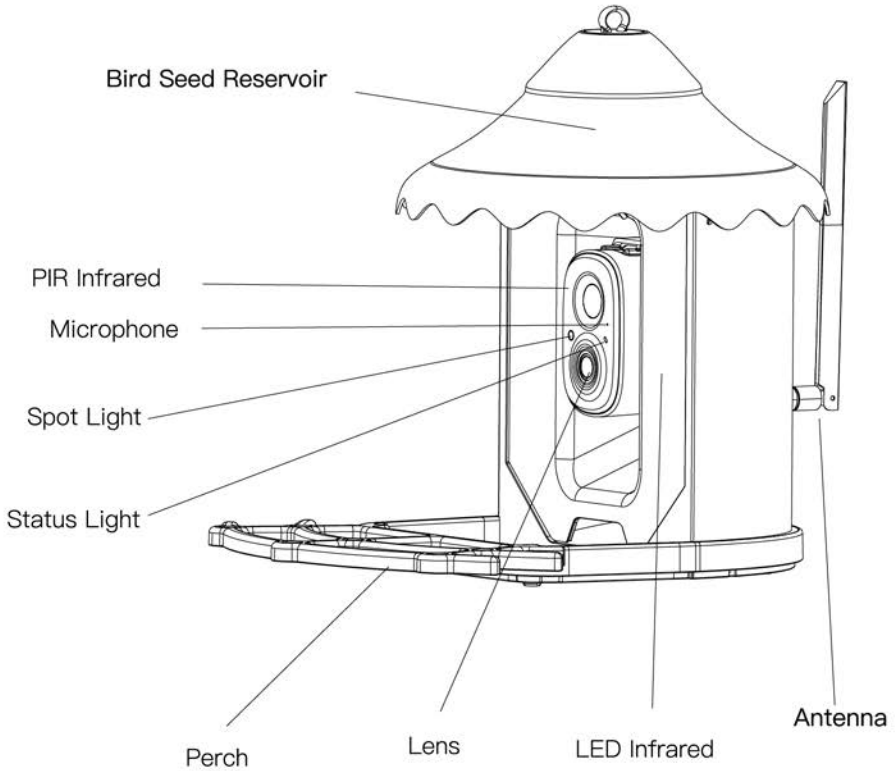
Schrauben & Dübel

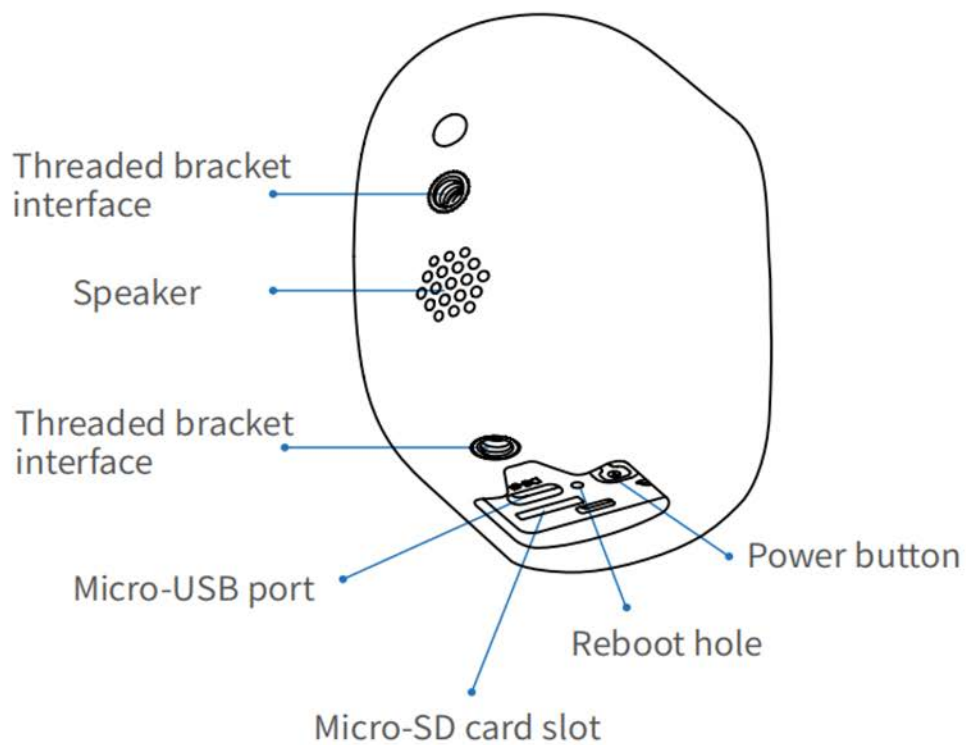
Montagehalterung
Rückseite des
Solarpanels

Montagehalterung

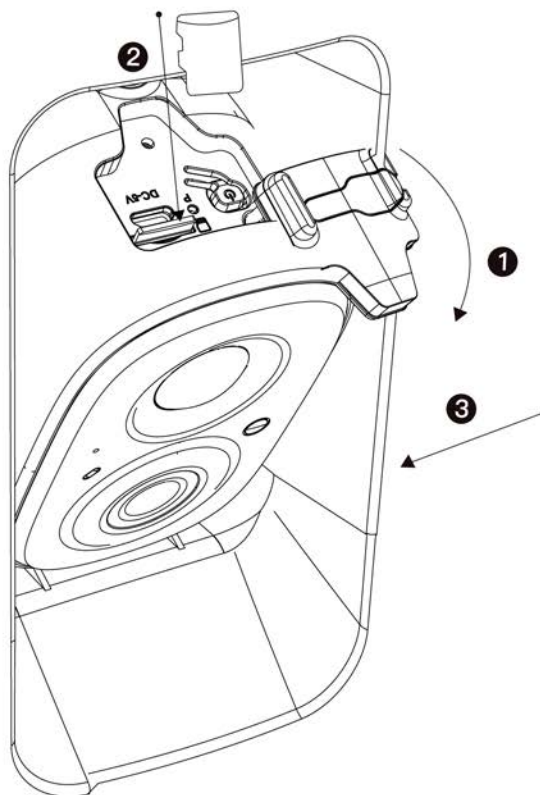
Montagehalterung
Oben auf der
Vogelperspektive

Kamerastruktur





Micro-SD-Karte einlegen

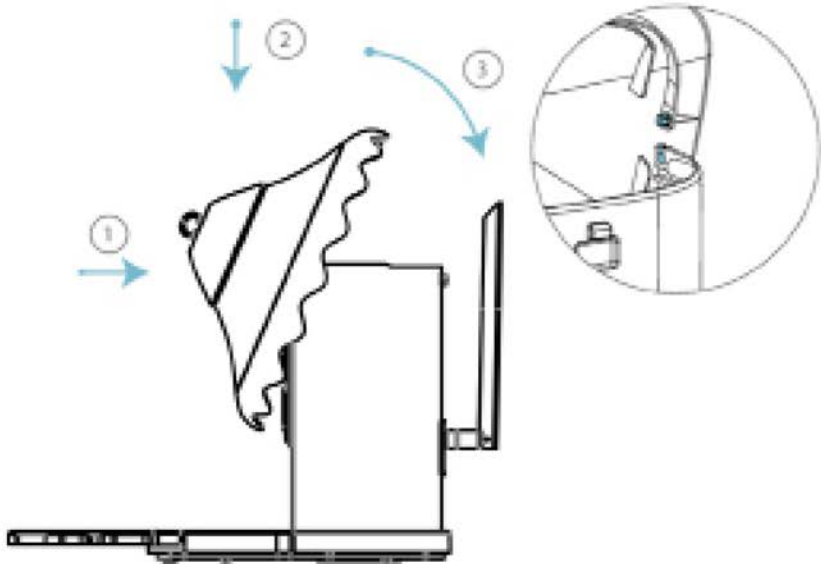


Der BirdsView-Vogelfutterspender verfügt über einen integrierten Kartensteckplatz, der mit microSD-Karten kompatibel ist und Speicherkapazitäten von bis zu 128 GB bietet.

- Schritt 1: Drehen Sie die Kamera nach unten.
- Schritt 2: Öffnen Sie die Silikonabdeckung und legen Sie die microSD-Karte richtig ein, mit dem Etikett nach oben.
- Schritt 3: Bringen Sie die Silikonabdeckung wieder fest an.

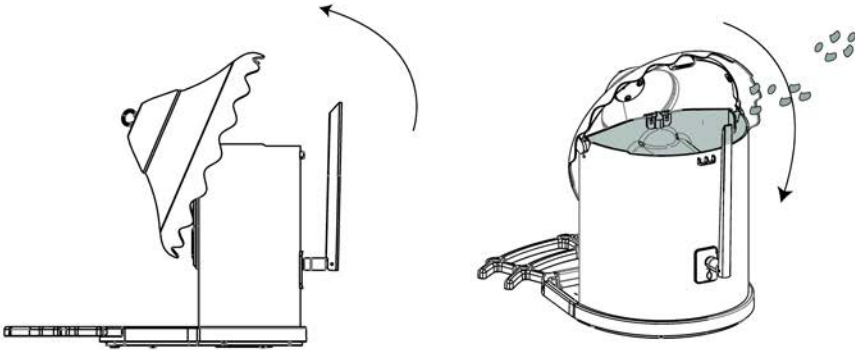
Vogelhäuschen zusammenbauen

Das Dach zusammenbauen



- Schritt 1: Positionieren Sie die Dachseite mit den Schnallen nach oben. Richten Sie die kleinen Säulen auf der linken und rechten Seite an den Schnallen des weißen Vogelfutterbehälters aus.
- Schritt 2: Zum Einsetzen fest nach unten drücken.
- Schritt 3: Drehen Sie das Dach nach hinten, um die Schnalle hinter dem weißen Vogelfutterbehälter zu sichern.

Den Futterspender mit Samen füllen



Sorgen Sie mit den folgenden Schritten dafür, dass Ihre gefiederten Gäste ihre Lieblingsnacks bekommen:

1. Durch Drücken der Taste wird das Dach des Futterautomaten entriegelt.
2. Füllen Sie den Futterspender mit verschiedenen Samen, die Vögel gerne mögen, wie zum Beispiel Weißhirse, schwarze Öl-Sonnenblumenkerne, Maisschrot, Milo, gestreifte Sonnenblumenkerne und Saflorsamen.

Zusammenbau des Vogelständers (Sitzstange)

Um den Vogelständer für Ihren Birds View-Futterspender richtig aufzustellen, befolgen Sie diese Schritte:

- Verwenden Sie die mitgelieferte Vogelständerschraube, um den Vogelständer sicher am gewünschten Ort zu befestigen. Stellen Sie sicher, dass der Ständer stabil steht, um den Futterspender zu stützen und den Vögeln einen sicheren Ruheplatz zu bieten. Verwenden Sie geeignete Werkzeuge, um die Schraube für optimale Stabilität und Haltbarkeit festzuziehen.

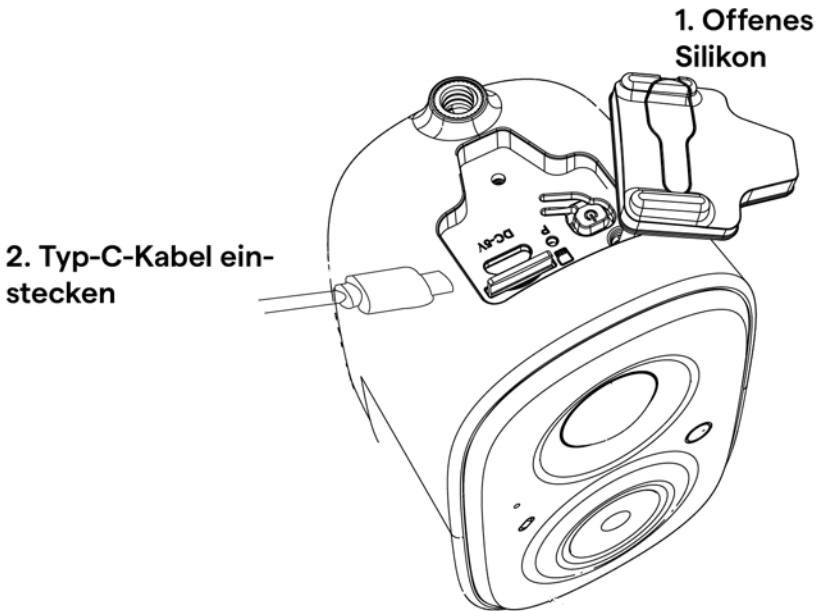
Wenn Sie diese Montageanleitung befolgen, können Sie sicherstellen, dass Ihr Birds View-Futterspender ordnungsgemäß mit einem stabilen und zuverlässigen Vogelständer ausgestattet ist, wodurch die Gesamtfunktionalität und Attraktivität Ihrer Vogelbeobachtungseinrichtung verbessert wird.



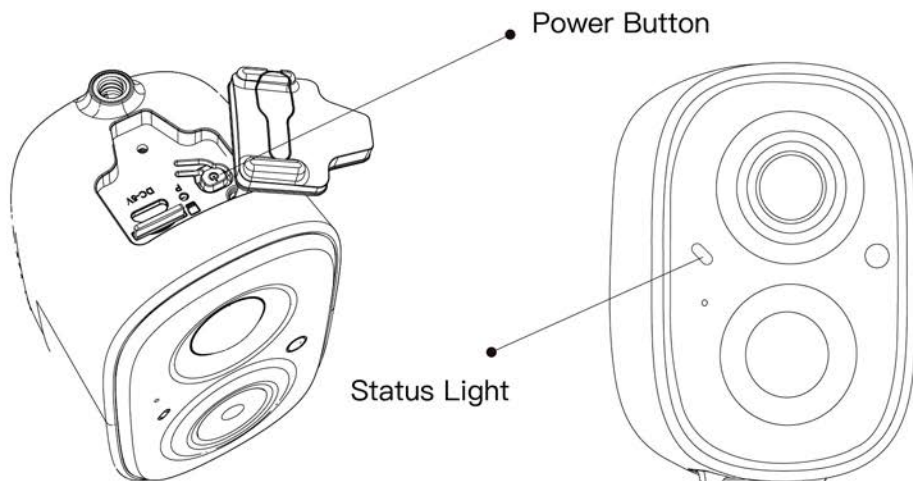
Aufladen der Kamera

Bereiten Sie Ihre Birds View-Kamera auf optimale Funktionalität vor, indem Sie sicherstellen, dass die Batterien vor der Verwendung vollständig aufgeladen sind. Laden Sie die Kamera zunächst mit dem mitgelieferten Typ-C-Anschlusskabel auf (DC5V/1,5A-Adapter nicht im Lieferumfang enthalten).

Achten Sie während des Ladevorgangs auf die Statusleuchte, die durchgehend gelb leuchtet und anzeigt, dass die Kamera gerade aufgeladen wird. Sobald der Ladevorgang abgeschlossen ist, leuchtet die Statusleuchte durchgehend grün. Normalerweise dauert dieser Vorgang etwa 14 Stunden. Es ist wichtig, die Kamera an die Stromquelle angeschlossen zu lassen, bis die Statusleuchte grün leuchtet und anzeigt, dass der Ladevorgang abgeschlossen ist. Mit einer vollständig aufgeladenen Kamera sind Sie in der Lage, faszinierende Momente der Vogelaktivität mühelos festzuhalten und zu dokumentieren.



So schalten Sie die Kamera ein und aus



So schalten Sie die Kamera ein:

Drücken Sie den Einschaltknopf, um Ihre Kamera zu aktivieren. Sobald das blaue Licht blinkt und Sie ein angenehmes Piepen hören, ist Ihre Kamera bereit zur Verbindung.

So schalten Sie die Kamera aus:

Halten Sie den Einschaltknopf 3 Sekunden lang gedrückt, um die Kamera auszuschalten. Dann erlischt die Statusleuchte an der Vorderseite der Kamera.

Statusleuchte: Statusleuchte für die Kommunikation mit Benutzern der Birdview-Kamera.

	LED Indicator	Description
	Solid Blue	Recording
	None	Sleep/Power Off
	Solid Yellow	Charging
	Solid Green	Charging Finished

Vor der Installation lesen

Sicherheitsvorkehrungen:

- Bewahren Sie den Birdsview Feeder und sämtliches Zubehör außerhalb der Reichweite von Kindern und Haustieren auf.
- Stellen Sie sicher, dass die Kamera mit einer DC5V/1,5A-Stromquelle vollständig aufgeladen wurde.
- Der Betriebstemperaturbereich liegt zwischen -10 °C und 50 °C (14 °F und 122 °F).
- Relative Luftfeuchtigkeit im Betrieb: 0 – 95 %.

Wichtige Notizen:

- Vermeiden Sie, das Kameraobjektiv direktem Sonnenlicht auszusetzen.
- Die Kamera ist nach IP65 wasserdicht und funktioniert daher auch bei Regen oder Schnee einwandfrei. Sie sollte jedoch nicht in Wasser getaucht werden.
- Birds View Feeder Cam funktioniert nur mit 2,4-GHz-WLAN.
- Starke Lichtquellen können die QR-Code-Scanfunktion des Geräts beeinträchtigen.
- Platzieren Sie das Gerät entfernt von Möbeln oder Mikrowellenprodukten und stellen Sie sicher, dass es in Reichweite Ihres WLAN-Signals bleibt.

Einrichten mit der VicoHome-App

Laden Sie zunächst die VicohomeApp entweder aus dem App Store oder von Google Play herunter. Folgen Sie den Anweisungen in der App, um den Einrichtungsvorgang nahtlos abzuschließen.



Hinweis: Weitere Informationen zur Installation der Vicohome-App finden Sie im Vicohome-Installationshandbuch.



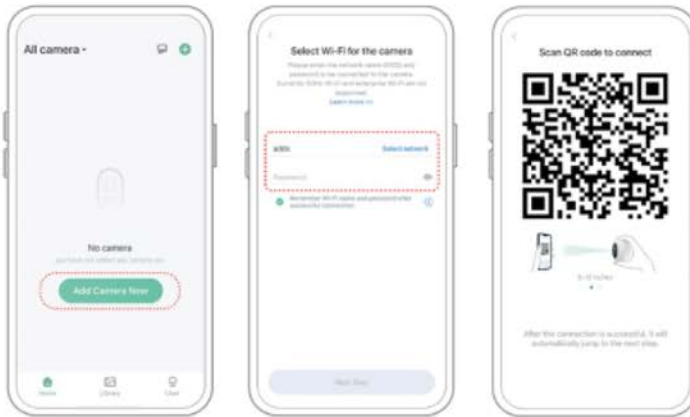
Ein-/Ausschalten und Netzwerkkonfiguration:

- Drücken Sie den Einschaltknopf, um Ihre Kamera zu aktivieren. Sobald das blaue Licht blinkt und Sie ein angenehmes Piepen hören, ist Ihre Kamera bereit zur Verbindung.

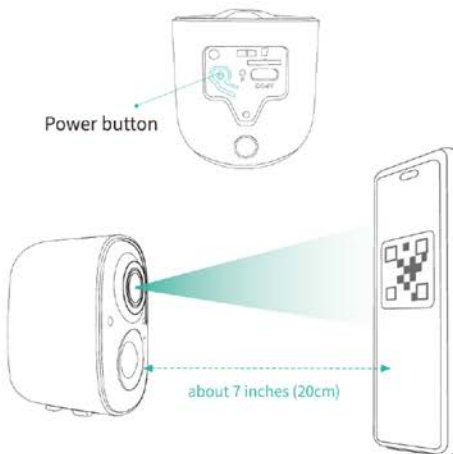


Verwenden Sie beim ersten Verbinden der Kamera die App und folgen Sie den Anweisungen zum Konfigurieren des Kameranetzwerks.

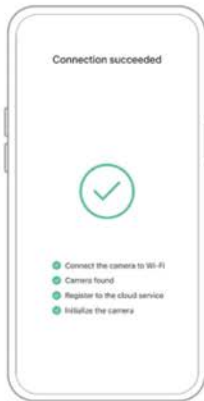
Einrichten der Kamera



1. Klicken Sie in der App auf „Kamera jetzt hinzufügen“ und geben Sie den Namen und das Passwort des WLAN-Netzwerks ein, mit dem die Kamera eine Verbindung herstellen soll. Um eine Verbindung über größere Entfernungen zu gewährleisten, unterstützt die Kamera nur 2,4-GHz-WLAN mit stärkerer Wanddurchdringungsfähigkeit und unterstützt derzeit kein WLAN für die Authentifizierung auf Unternehmensebene. Bitte stellen Sie sicher, dass das eingegebene WLAN die Anforderungen erfüllt. Klicken Sie nach Abschluss auf „Weiter“, um den QR-Code zum Koppeln der Kamera zu generieren.



2. Nachdem Sie den Kameraschalter 3 Sekunden lang gedrückt haben, schaltet sich die Kamera ein. Richten Sie die Kamera nun aus einer Entfernung von ca. 20 cm (7 Zoll) auf den QR-Code in der mobilen App, bis die Kamera einen „Di“-Ton ausgibt, der anzeigt, dass der Scanvorgang erfolgreich war und die Kopplung gestartet wurde.



3. Nach einer Weile gibt die Kamera einen Ton aus, der eine erfolgreiche Verbindung anzeigt. Geben Sie nun in der App einen Namen für das Gerät ein und wählen Sie den Ort aus, an dem Sie das Gerät platzieren möchten. Klicken Sie auf „Weiter“, um den Kopplungsvorgang abzuschließen.

Installation

Bevor Sie mit der Installation fortfahren, stellen Sie Folgendes sicher:

A. Integration mit der Vicohome-App: Bestätigen Sie, dass Ihre BirdsView-Kamera erfolgreich zu Ihrer Vicohome-App hinzugefügt wurde und Video-Streaming durchführen kann.

B. Auswahl eines geeigneten Standorts: Installieren Sie die Kamera an einer ungehinderten Stelle, um optimale Sicht zu gewährleisten. Stellen Sie sicher, dass sie innerhalb der Reichweite Ihres WLAN-Netzwerks bleibt.

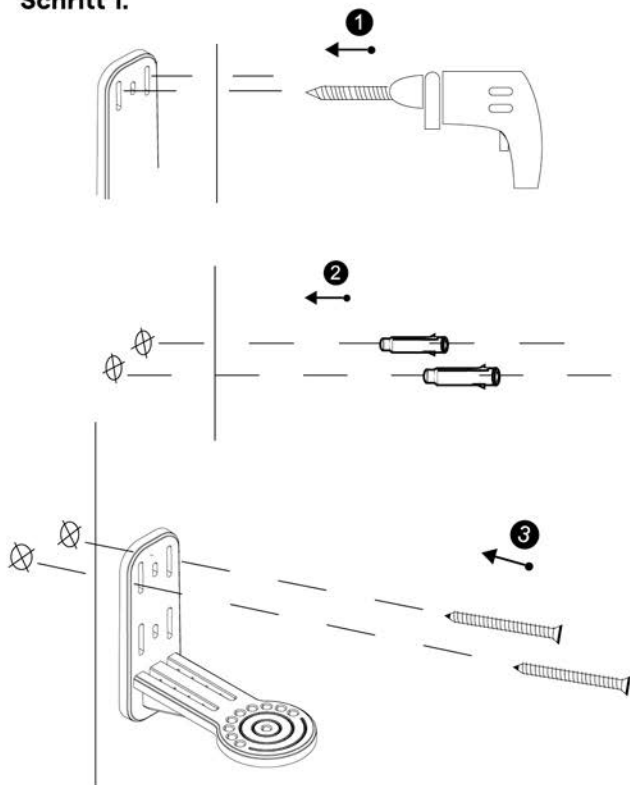


C. Empfohlene Höhe: Für optimale Vogelsichtbarkeit empfehlen wir, die Kamera in einer Höhe zwischen 2,2 und 3,5 Metern (7,2 bis 11,5 Fuß) zu installieren. Die Platzierung in einem offenen Bereich erleichtert die Vogelbeobachtung.

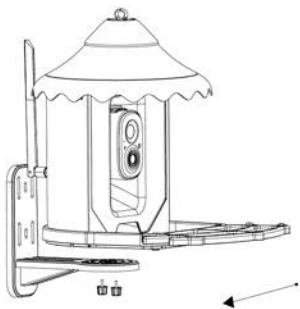
D. Installationsmethoden: Die BirdsView-Kamera bietet drei Installationsmethoden, um verschiedenen Vorlieben und Umgebungen gerecht zu werden. Wählen Sie die Methode, die Ihren Anforderungen und Ihrer Umgebung am besten entspricht.

Wand-/Standmontage:

Schritt 1.



1. Markieren Sie mit der mitgelieferten Bohrschablone die Position der Löcher an Ihrer Wand. Bohren Sie mit einem 8-mm-Bohrer zwei Löcher.
2. Installieren Sie Dübel, um die Schrauben zu befestigen.
3. Montieren Sie die Birdview-Futterhalterung mit den mitgelieferten Schrauben an Ihrer Wand.

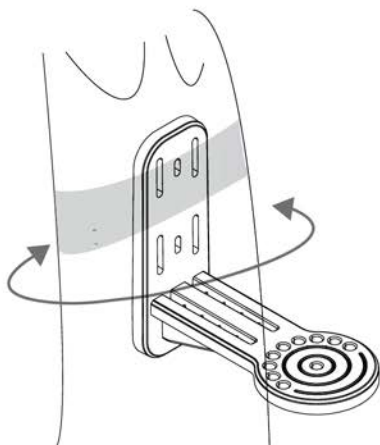


Schritt 2.

Schieben Sie den Birds View Feeder durch die Gleitschiene in die Halterung.

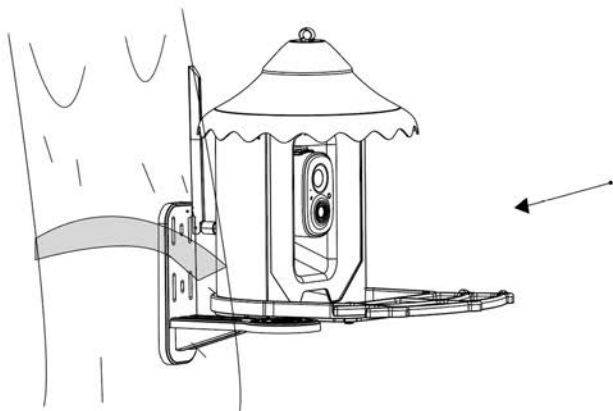
Verwenden Sie die Sitzschrauben, um es von unten zu verriegeln.

Bauminstallation:



Schritt 1

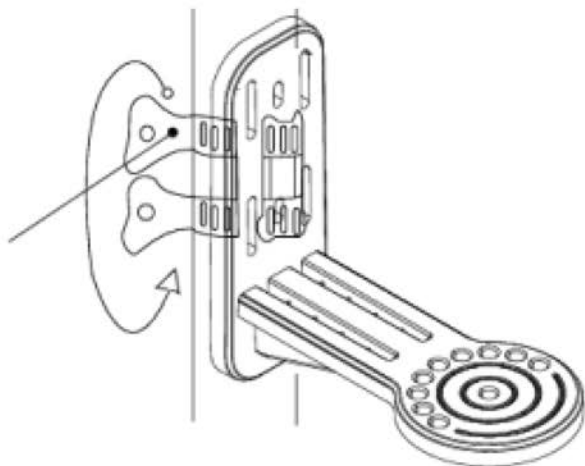
Wickeln Sie die Vogelfutterhalterung mit dem schwarzen Band um den Baum.



Schritt 2

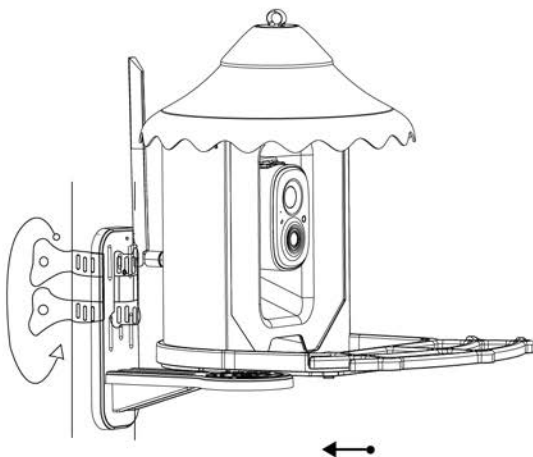
Schieben Sie den Birdview Feeder in die Halterung. Verwenden Sie die Sitzschrauben, um es von unten zu verriegeln.

Mastmontage (Schlauchschelle)



Schritt 1

Befestigen Sie den Vogelfutterspender mit der Schlauchklemme an der Stange, indem Sie den Griff im Uhrzeigersinn drehen.



Schritt 2:

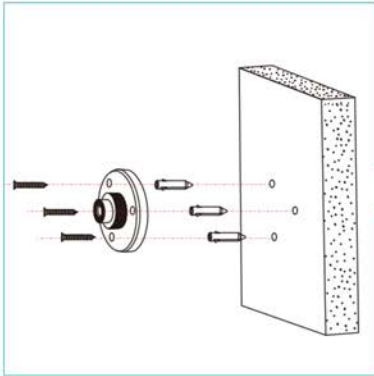
Schieben Sie den Birds View Feeder durch die Gleitschiene in die Halterung. Verwenden Sie die Sitzschrauben, um es von unten zu verriegeln.

Schritt 3 :

Ziehen Sie die Schlauchschellen fest, indem Sie die Griffe im Uhrzeigersinn drehen.

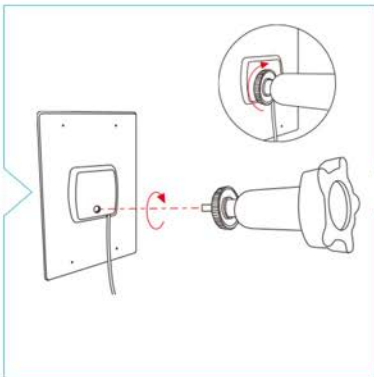
Installation von Solarmodulen

Option 1: Eigenständige Montage



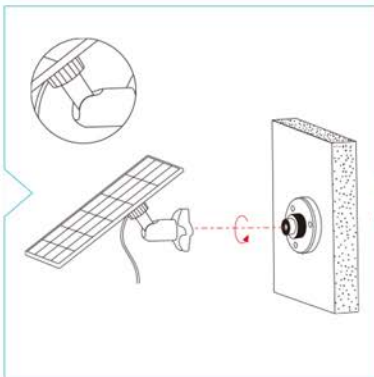
Schritt 1

Befestigen Sie den Montagesockel mit den beiliegenden Schrauben.



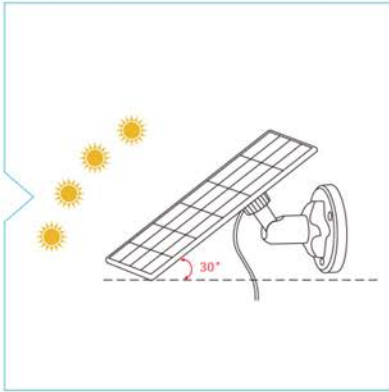
Schritt 2:

Schrauben Sie das Solarpanel an die Halterung.



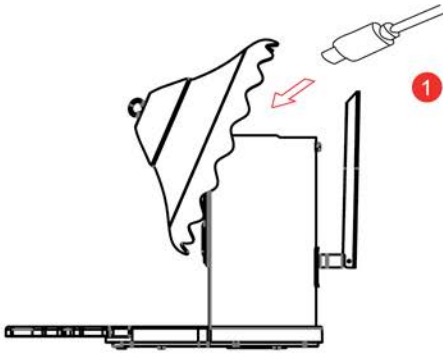
Schritt 3:

Befestigen Sie das Panel an der Basis.



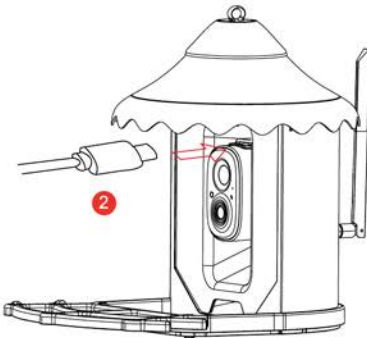
Schritt 4:

Passen Sie den Winkel an, um die Sonneneinstrahlung zu maximieren.



Schritt 5:

Verbinden Sie die Solarmodule mit dem mitgelieferten 3 Meter langen Type-C-Ladekabel mit dem Ladeanschluss des Vogelhäuschens.



Option 2: Befestigung auf der Oberseite des Futterhäuschens



Schritt 1: Kabelverbindung

Stecken Sie das Kabel des Solarmoduls fest in die Kamera und achten Sie darauf, dass es sauber von der Rückseite des Futterspenders weggeführt wird. Stellen Sie sicher, dass es durch die dafür vorgesehenen Bereiche verläuft, damit der Futterspender richtig geschlossen wird.



Schritt 2: Futterdach schließen

Schließen Sie zur Vorbereitung der Installation das Dach des Vogelhäuschens gut.



Schritt 3: Solarpanelhalterung anbringen

Verbinden Sie zur Vorbereitung der Montage die Solarpanel-Halterung mit dem Solarpanel.



Schritt 4: Solarpanel-Halter anschließen

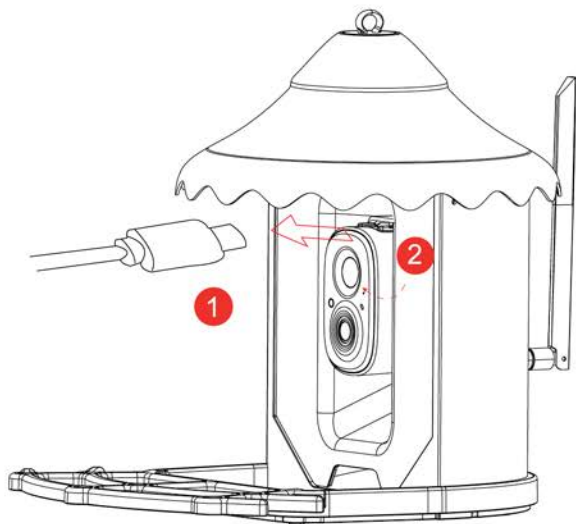
Identifizieren Sie den vorgesehenen Montagepunkt oben am Futterspender, wie unten gezeigt. Befestigen Sie den Solarpanelhalter zur Stabilität während der Installation am Dach des Futterspenders.



Schritt 5: Solarpanel sichern

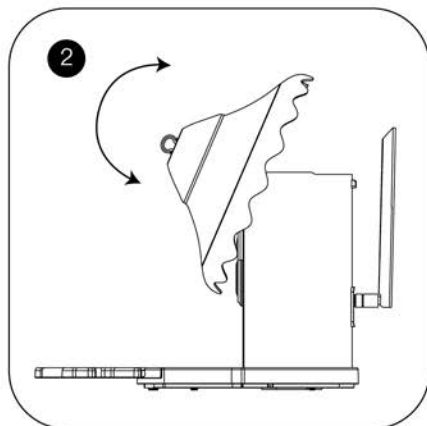
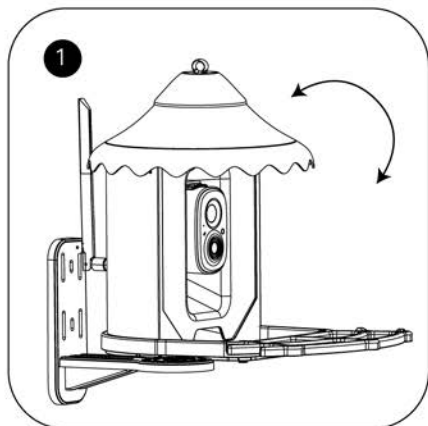
Befestigen Sie das Solarpanel sicher am Feeder und schließen Sie den Installationsvorgang ab.

Reinigung der Birdsvie Feeder-Kamera

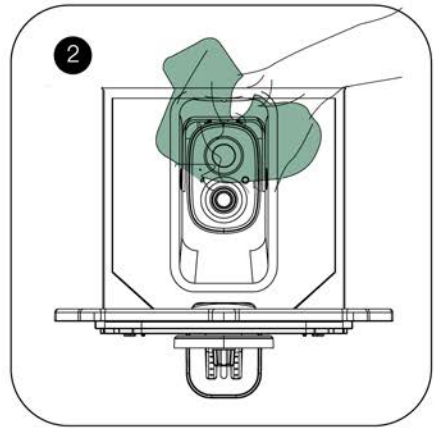
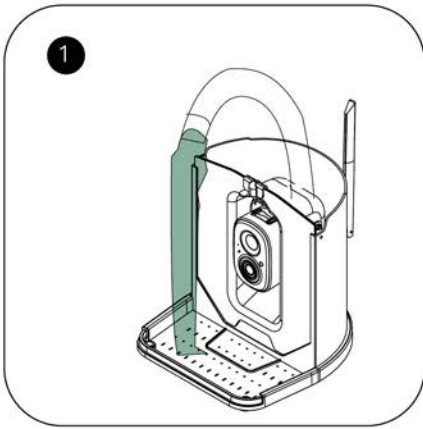


Schritt 1: Ladekabel abziehen und Silikonhülle aufsetzen.

Schritt 2: Entfernen Sie die Birdsvie Feeder-Kamera mithilfe der Lasche an der Unterseite des Futterspenders von der Halterung.

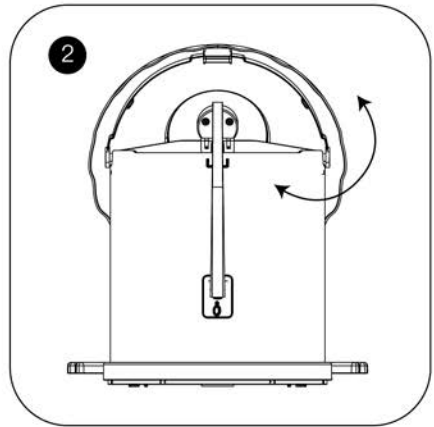
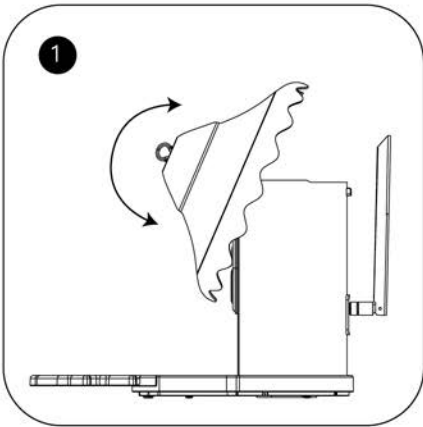


Schritt 3: Öffnen Sie die Schnalle an der Rückseite des Birdsvie Feeder und ziehen Sie das Dach nach oben, um es zu öffnen.

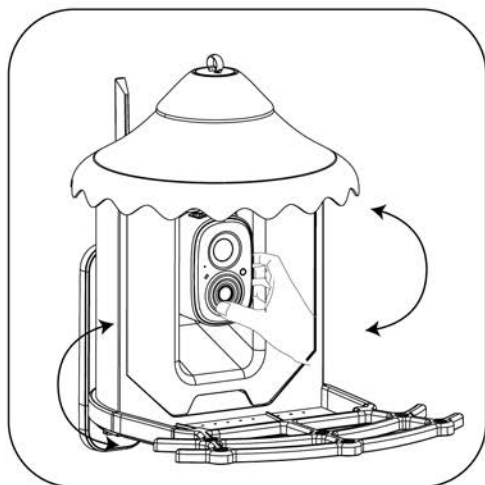


Schritt 4: Gießen Sie Wasser in den oberen Teil des Samenbehälters. Waschen Sie die Kamera oder ihre Komponenten nicht. Sie sind wasserabweisend, aber nicht wasserdicht.

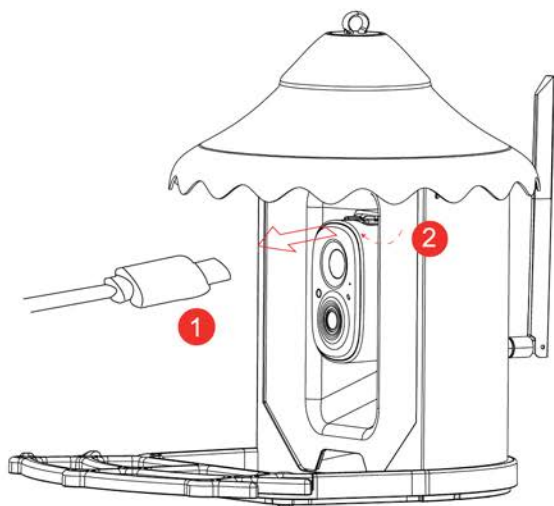
Trocknen Sie den Futterspender, einschließlich des Samenbehälters.



Schritt 5: Das Dach wieder anbringen: Drücken Sie das Dach nach unten und lassen Sie die Druckknöpfe auf der Rückseite des Birdview Feeder einrasten.



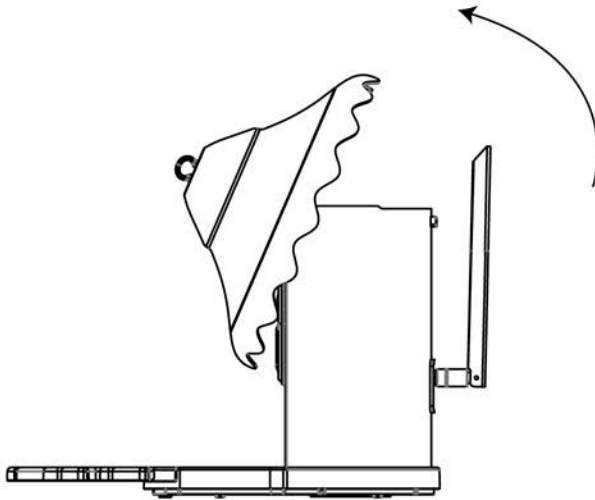
Schritt 6: Befestigen Sie die Halterung wieder an der Basis des Vogelfutterspenders. Passen Sie den Winkel für Vogelfutterspender und Kamera an.



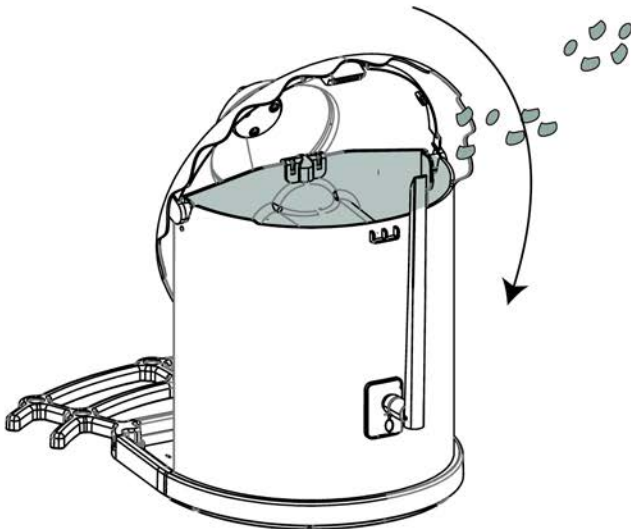
Schritt 7: Öffnen Sie den Silikonstopfen und stecken Sie das Solarpanel wieder ein.

So fügen Sie Vogelfutter hinzu

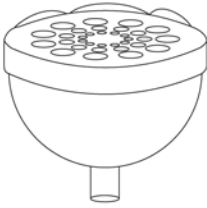
Schritt 1: Öffnen Sie die Schnalle an der Rückseite des Birdview Feeder und ziehen Sie das Dach nach oben, um es zu öffnen.



Schritt 2: Sie können Vogelfutter hinzufügen. Schließen Sie zum Schluss das Dach wieder.



Verwenden des Kolibri-Futterspenders

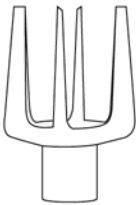


Der Vogelfutterspender Birdsview wird mit einem speziell entwickelten Kolibri-Futterspender geliefert, um mehr Vögel anzulocken. Sie können Honig darauf geben.

Schritt 1: Drehen Sie die Kappe des Kolibri-Futterspenders ab. Sie können Honig hineingießen. Drehen Sie sie wieder fest.

Schritt 2: Setzen Sie den Kolibri-Futterspender auf die Sitzstange.

Verwenden des Obsthalters



Der Vogelfutterspender Birdsview wird mit einem speziell entwickelten Obsthalter geliefert, um mehr Vögel anzulocken. Sie können Orangen, Äpfel oder andere Obstsorten darauf legen.

Schritt 1: Schrauben Sie den Obsthalter fest auf die Vogelstange und achten Sie darauf, dass er fest sitzt, damit er nicht herunterfällt.

Schritt 2: Legen Sie das Obst in den Halter.

FAQs

F: Kann ich die Kamera über einen Stecker oder USB am Haushaltsstrom aufladen?

A: Ja, Sie sollten die Kamera über einen Stecker oder USB über den Hausstrom aufladen, auch bevor Sie sie im Freien aufstellen. Aus Sicherheitsgründen ist die Kamera nicht vollständig aufgeladen. Laden Sie sie vor dem ersten Gebrauch 14 Stunden lang mit dem in der Verpackung enthaltenen Ladekabel auf (DC5V / 1A). Birds View bietet kostenlosen Speicherplatz für bis zu 3 Tage. Darüber hinaus können Benutzer den Speicherplatz erweitern, indem sie einen Speicherplan abonnieren oder eine SD-Karte für die lokale Speicherung verwenden.

F: Gibt es einen Testplan, um die KI-Funktionen auszuprobieren?

A: Ja, Sie können unsere 30-tägige kostenlose Testversion des Awareness Plus-Plans ausprobieren, der kostenlosen Cloud-Speicher sowie KI-Vogelerkennung und -warnungen umfasst.

F: Wie schwer ist es, die Kamera zu reinigen?

A: Sie müssen das Kameraobjektiv nur ein paar Mal im Jahr abwischen.

F: Hält es Regenwetter stand?

A: Die Kamera ist durch das Dach geschützt und im Kunststoff-Lebensmittelhalter untergebracht. Sie muss jedoch möglicherweise gelegentlich abgewischt werden.

F: Welche Art Vogelfutter würden Sie empfehlen?

A: Schwarze Sonnenblumenkerne sind eine gute Option.

F: Welches Futter sollte ich für die Vögel zubereiten?

A: Viele Vögel mögen Sonnenblumenkerne oder schwarze Öl-Sonnenblumenkerne. Manche mögen auch ungesalzene Erdnüsse.

F: Ist dies für einen Weißkopfseeadler geeignet?

A: Wahrscheinlich nicht, wenn es regelmäßig auf- und abspringt.

F: Welche App wird zum Anzeigen verwendet?

A: Es verwendet die Vicohome-App. Weitere Informationen finden Sie in der Vicohome-Installationsanleitung.

F: Ist für den Betrieb des Geräts eine Micro-SD-Karte erforderlich?

A: Nein, für den Betrieb des Geräts ist keine microSD-Karte erforderlich. Sie ist jedoch notwendig, wenn Sie Ihre Videos speichern möchten.

F: Funktioniert dies zur Kolibrisbeobachtung?

A: Ja, das wird es. Schließen Sie einfach den Kolibri-Futterspender an, der im Lieferumfang enthalten ist. Kolibris fressen normalerweise keine Samen.

F: Können wir nachts Vögel beim Fressen beobachten?

A: Die Kamera verfügt über eine Nachtsichtfunktion, sodass Sie Vögel nachts sehen können. Normalerweise fressen sie nachts jedoch nicht. Sie können sie stattdessen beim Ausruhen sehen.

F: Können Sie Benachrichtigungen abschalten?

A: Ja, Sie können Benachrichtigungen in den Einstellungen der Vico Home-App deaktivieren.

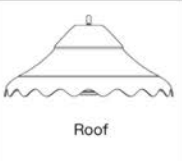
















F: Ist dies mit Android-Geräten und iOS kompatibel?

A: Ja, es ist mit den meisten Android- und iOS-Geräten wie Telefonen und Tablets kompatibel.

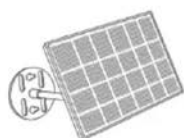
TABLA DE CONTENIDO

Qué hay en la caja.....	05
Estructura de la cámara.....	06
Insertar tarjeta Micro SD.....	08
Montar el comedero para pájaros.....	09
Cargando la cámara.....	12
Cómo encender y apagar la cámara.....	13
Leer antes de la instalación.....	14
Configurar con la aplicación VicoHome.....	14
Instalación.....	18
Instalación de Paneles Solares.....	22
Limpieza de la leva del comedero para pájaros.....	26
Cómo agregar semillas para pájaros.....	29
Preguntas más frecuentes.....	30

Qué hay en la caja

 Roof	 Perch	 X 2	 Feeder & Camera
Roof	Perch	Perch Screw	Feeder & Camera
 Mounting Bracket	 X 2	 Ejector Pin	
Mounting Bracket	Black Strap	Ejector Pin	
 X 2	 X 2	 X 2	 X 3
Hose Clips (Small)	Hose Clips (large)	Screws for mounting on wood	Anchors
	 X 2		
	Screws for mounting on concrete	Type-C charging cable	
 Humming Bird Feeder	 Fruit Fork	 Vicohome App User Guide	 User Manual
Humming Bird Feeder	Fruit Fork	Vicohome App User Guide	User Manual

Kit de instalación de paneles solares



Panel solar



Tornillos y anclajes



Soporte de instalación
Parte posterior del panel solar

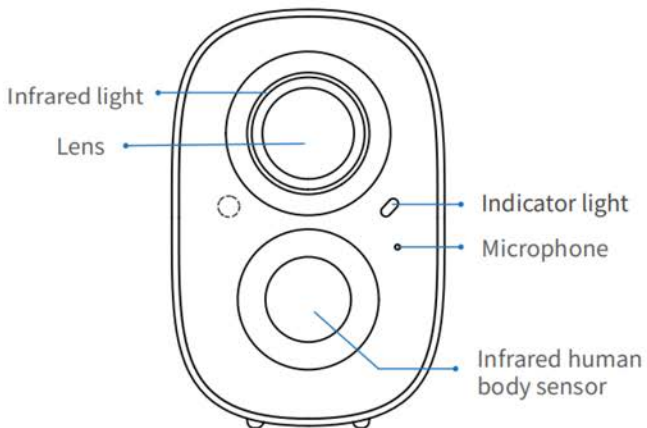
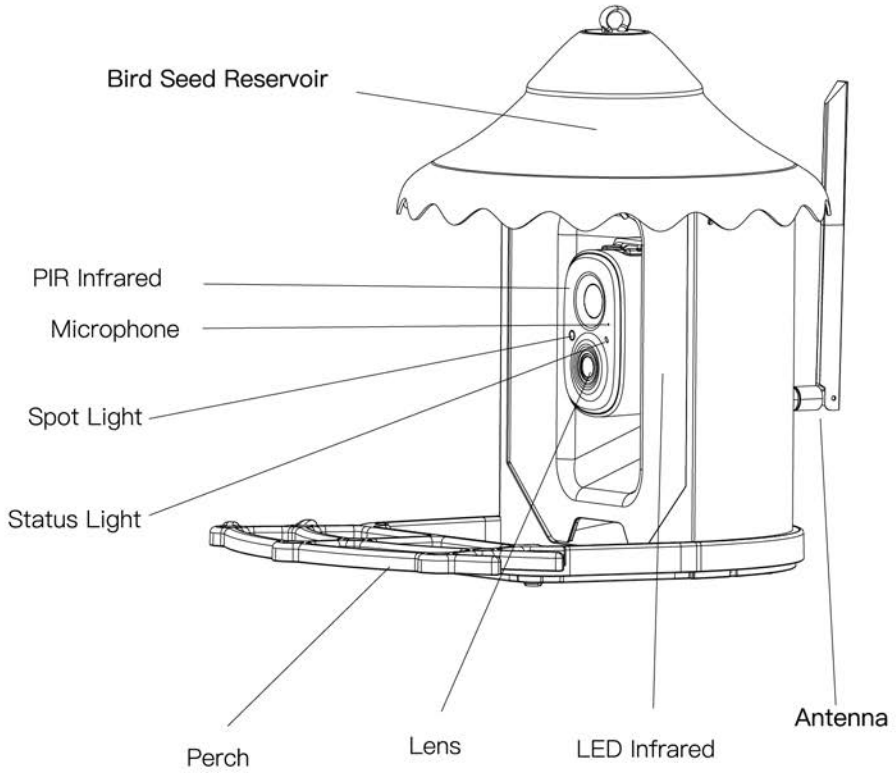


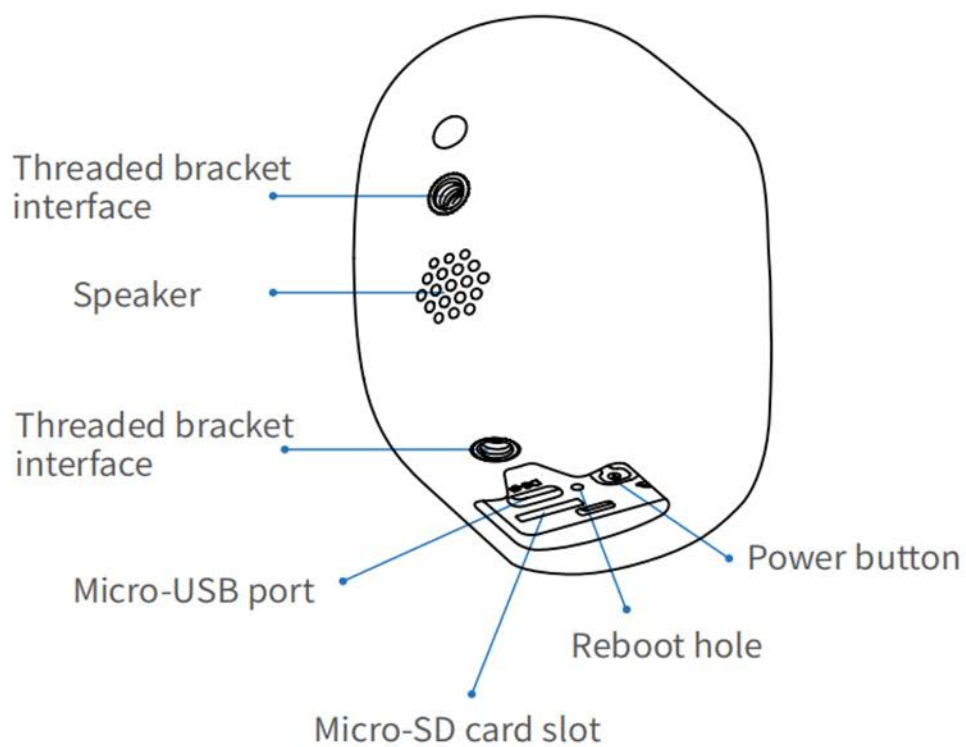
Soporte de instalación



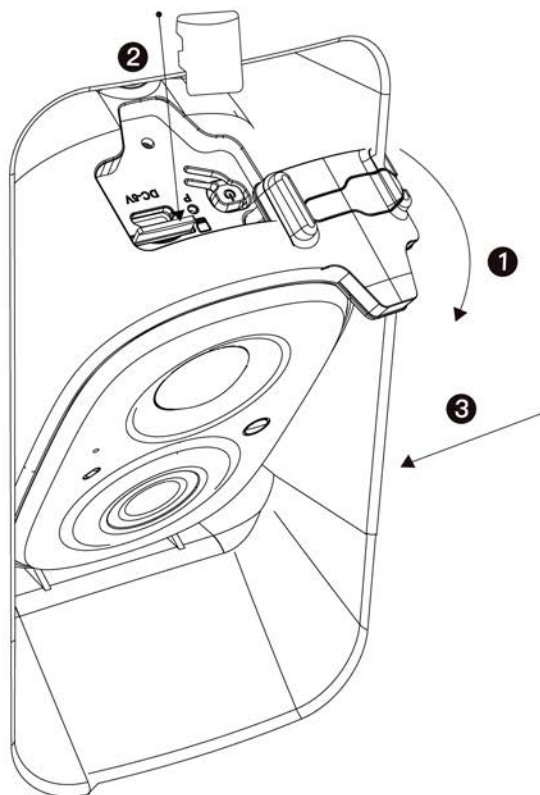
Soporte de instalación
Parte superior de la vista de pájaros

Estructura de la cámara





Insertar tarjeta Micro SD

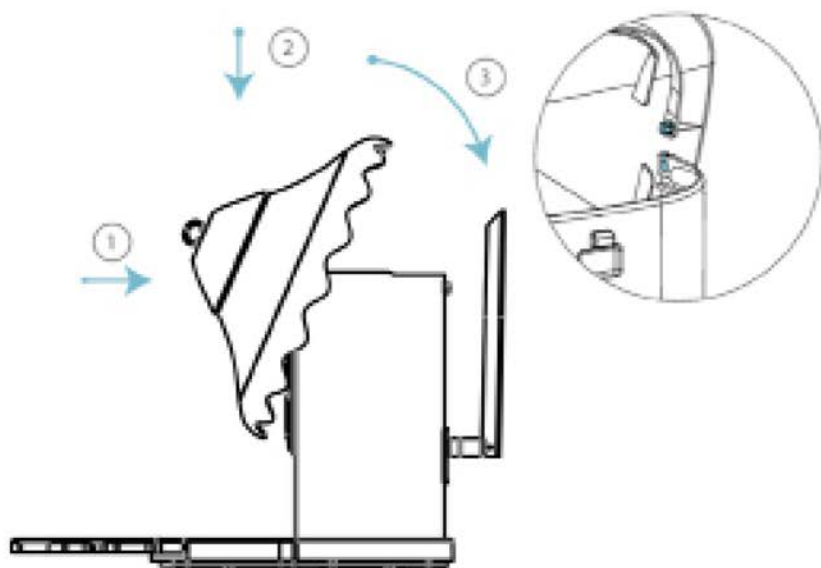


BirdsView Bird Feeder cuenta con una ranura para tarjetas incorporada compatible con tarjetas microSD, que ofrece capacidades de almacenamiento de hasta 128 GB.

- Paso 1: gira la cámara hacia abajo.
- Paso 2: Abra la cubierta de silicona e inserte la tarjeta microSD, asegurándose de que esté correctamente colocada con la etiqueta hacia arriba.
- Paso 3: Vuelva a colocar la cubierta de silicona de forma segura.

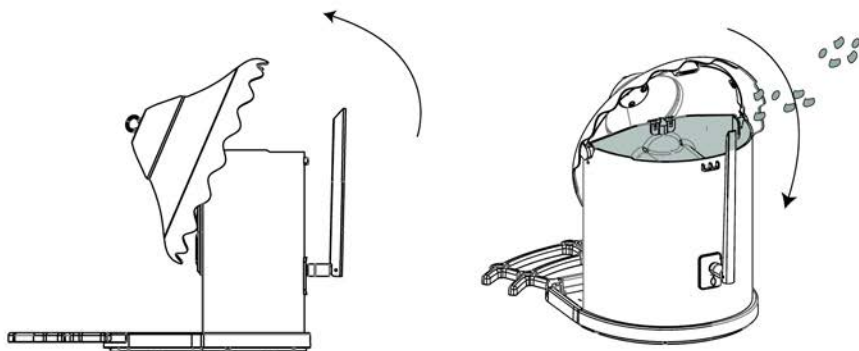
Montar el comedero para pájaros

montar el techo



- Paso 1: Coloque el costado del techo con las hebillas hacia arriba. Alinee los pequeños pilares de los lados izquierdo y derecho con las hebillas del contenedor de alpiste blanco.
- Paso 2: presione hacia abajo firmemente para insertar.
- Paso 3: Gire el techo hacia atrás para asegurar la hebilla detrás del contenedor de alpiste blanco.

Llenar el comedero con semillas



Asegúrese de que sus invitados emplumados disfruten de sus refrigerios favoritos siguiendo estos pasos:

1. Presione el botón para desbloquear el techo del comedero.
2. Llene el comedero con una variedad de semillas que les gustan a los pájaros, como mijo blanco, semillas de girasol de aceite negro, maíz partido, milo, semillas de girasol rayadas y semillas de cártamo.

Montaje del puesto para pájaros (percha)

Para configurar correctamente el soporte para pájaros para su comedero Birds View, siga estos pasos:

- Utilice el tornillo del soporte para pájaros proporcionado para instalar de forma segura el soporte para pájaros en la ubicación deseada. Asegúrese de que el soporte esté colocado de manera estable para sostener el comedero y proporcionar un lugar de descanso seguro para las aves visitantes. Utilice herramientas adecuadas para apretar el tornillo para lograr una estabilidad y durabilidad óptimas.

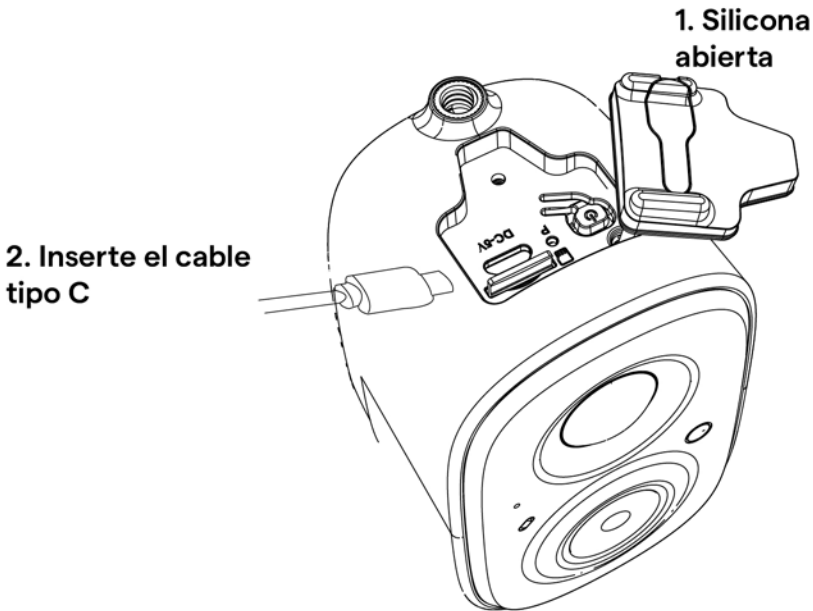
Si sigue estas instrucciones de montaje, podrá asegurarse de que su comedero Birds View esté equipado adecuadamente con un soporte para pájaros resistente y confiable, lo que mejorará la funcionalidad general y el atractivo de su instalación de observación de aves.



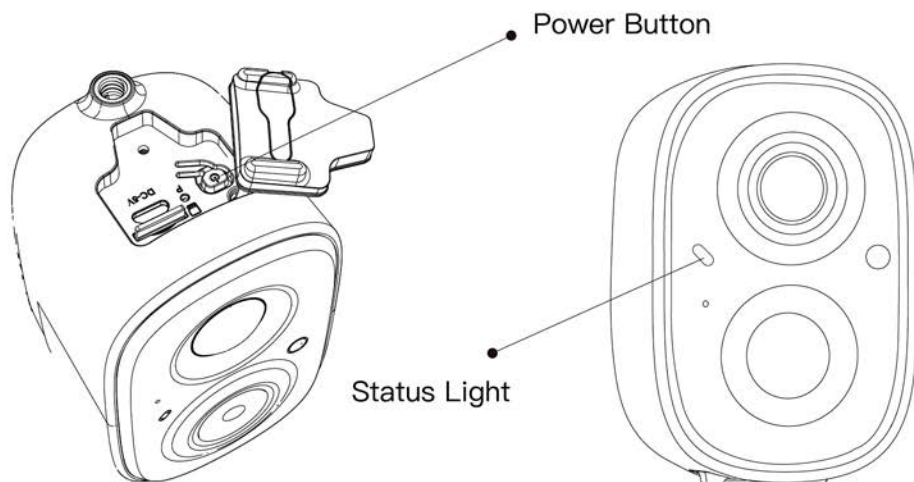
Cargando la cámara

Prepare su cámara Birds View para una funcionalidad óptima asegurándose de que las baterías estén completamente cargadas antes de usarla. Comience cargando la cámara usando el cable de puerto tipo C provisto (adaptador DC5V / 1.5A no incluido).

Mientras se carga, observe la luz de estado, que emitirá un brillo amarillo fijo, lo que indica que la cámara se está cargando actualmente. Una vez que se complete el proceso de carga, la luz de estado se volverá verde fija. Normalmente, este proceso dura aproximadamente 14 horas. Es fundamental mantener la cámara conectada a la fuente de alimentación hasta que la luz de estado cambie a verde, indicando que el proceso de carga ha concluido. Con una cámara completamente cargada, estará equipado para capturar y documentar sin esfuerzo momentos cautivadores de la actividad de las aves.



Cómo encender y apagar la cámara



Para encender la cámara:

Presione el botón de encendido para activar su cámara. Una vez que la luz azul parpadee y escuche un chirrido agradable, su cámara estará lista para conectarse.

Para apagar la cámara:

Mantenga presionado el botón de encendido durante 3 segundos para apagar la cámara. Entonces la luz de estado en el frente de la cámara se apagará.

Luz de estado: Los usuarios de la cámara Birdsvie se iluminan para comunicarse.

	LED Indicator	Description
	Solid Blue	Recording
	None	Sleep/Power Off
	Solid Yellow	Charging
	Solid Green	Charging Finished

Leer antes de la instalación

Precauciones de seguridad:

- Mantenga el comedero Birdsvie y todos los accesorios fuera del alcance de los niños y las mascotas.
- Asegúrese de que la cámara esté completamente cargada con una fuente de alimentación DC5V/1,5A.
- La temperatura de funcionamiento oscila entre -10 °C y 50 °C (14 °F a 122 °F).
- Humedad relativa de funcionamiento: 0-95%.

Notas importantes:

- Evite exponer la lente de la cámara a la luz solar directa.
- La cámara tiene una clasificación de impermeabilidad IP65, lo que permite un funcionamiento adecuado bajo la lluvia o la nieve, pero no debe sumergirse en agua.
- Birds View Feeder Cam solo funciona con Wi-Fi de 2,4 GHz.
- Las fuentes de luz intensas pueden interferir con la capacidad de escaneo de códigos QR del dispositivo.
- Coloque el dispositivo lejos de muebles o productos de microondas y asegúrese de que permanezca dentro del alcance de su señal Wi-Fi.

Configurar con la aplicación VicoHome

Para comenzar, descargue la aplicación Vicohome desde App Store o Google Play. Siga las instrucciones de la aplicación para completar el proceso de configuración sin problemas.




Nota: Para obtener información adicional sobre la instalación de la aplicación Vicohome, consulte el manual de instalación de Vicohome.

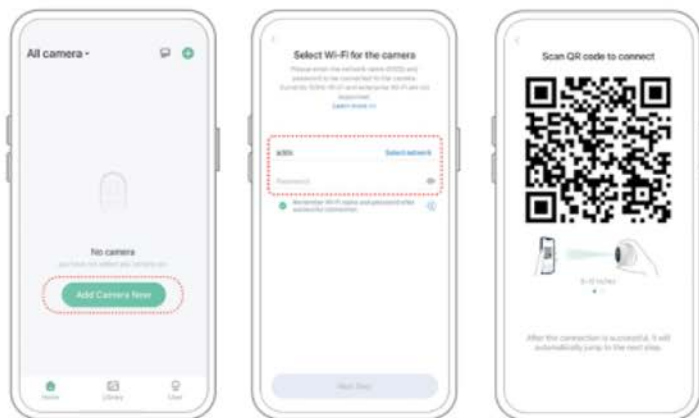


Encendido/apagado y configuración de red:

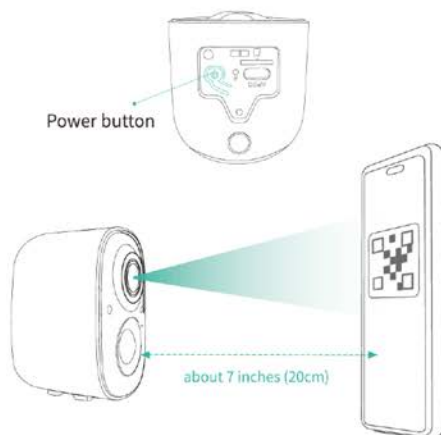
- Presione el botón de encendido para activar su cámara. Una vez que la luz azul parpadee y escuche un chirrido agradable, su cámara estará lista para conectarse.

 Cuando conecte la cámara por primera vez, use la aplicación y siga las instrucciones para configurar la red de la cámara.

Configurar la cámara



1. Haga clic en "Agregar cámara ahora" en la aplicación e ingrese el nombre y la contraseña de la red Wi-Fi a la que desea conectar la cámara. Para garantizar una conexión a mayor distancia, la cámara solo admite Wi-Fi de 2,4 GHz con una mayor capacidad de penetración en la pared y actualmente no admite Wi-Fi para autenticación de nivel empresarial. Asegúrese de que el Wi-Fi ingresado cumpla con los requisitos. Una vez completado, haga clic en "Continuar" para generar el código QR para emparejar la cámara.



2. Después de presionar el interruptor de la cámara durante 3 segundos, la cámara se encenderá. En este momento, apunte la cámara al código QR en la aplicación móvil desde una distancia de aproximadamente 20 cm (7 pulgadas) hasta que la cámara emita un sonido "Di", lo que indica que el escaneo se realizó correctamente y se inició el emparejamiento.



3. Después de un tiempo, la cámara emitirá un sonido indicando una conexión exitosa. En este momento, establezca un nombre para el dispositivo en la aplicación y seleccione la ubicación donde desea colocar el dispositivo. Haga clic en "continuar" para completar el proceso de emparejamiento.

Instalación

Antes de continuar con la instalación, asegúrese de lo siguiente:

A. Integración con la aplicación Vicohome: Confirme que su cámara BirdsView se haya agregado correctamente a su aplicación Vicohome y sea capaz de transmitir video.

B. Elección de una ubicación adecuada: Instale la cámara en una posición sin obstáculos para garantizar una visibilidad óptima. Asegúrese de que permanezca dentro del rango de cobertura de su red Wi-Fi.

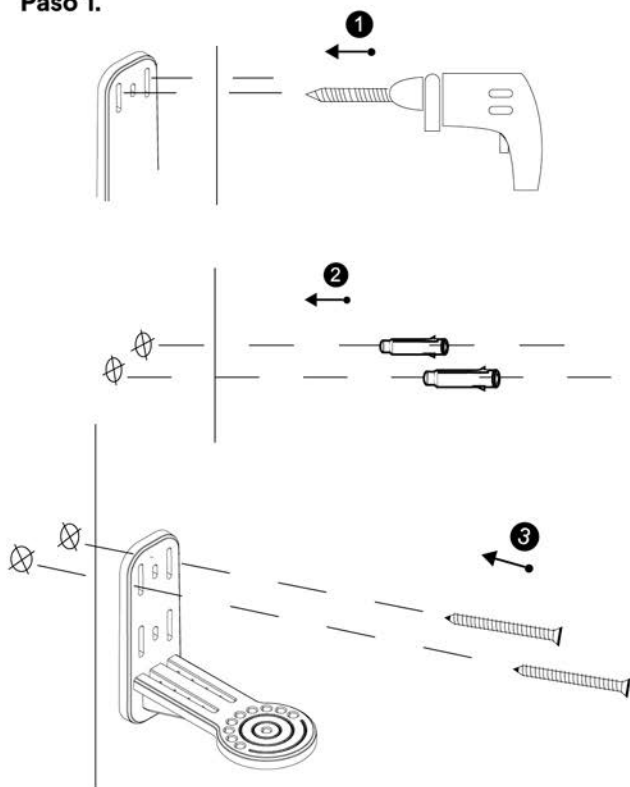


C. Altura recomendada: Para una visibilidad óptima de las aves, recomendamos instalar la cámara a una altura que oscila entre 2,2 y 3,5 metros (7,2 a 11,5 pies). Colocarla en un área abierta facilita el descubrimiento de aves.

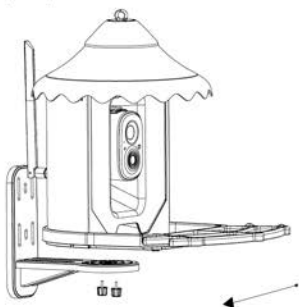
D. Métodos de instalación: BirdsView Camera ofrece tres métodos de instalación para adaptarse a diversas preferencias y entornos. Elige el método que mejor se adapte a tus necesidades y entorno.

Instalación en pared/soporte:

Paso 1.



1. Utilice la plantilla de perforación proporcionada para marcar la posición de los agujeros en la pared. Haga dos agujeros con una broca de 5/16" (8 mm).
2. Instale anclajes para fijar los tornillos.
3. Instale el soporte del comedero Bird'sview en la pared con los tornillos proporcionados.

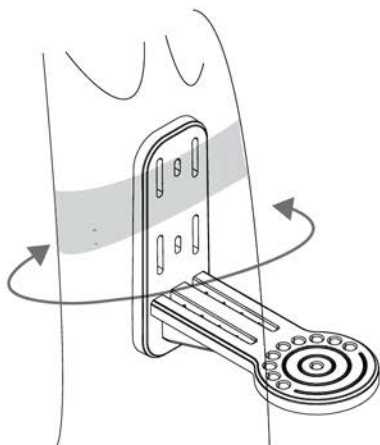


Paso 2.

Deslice el comedero Birds View en el soporte a través del riel deslizante.

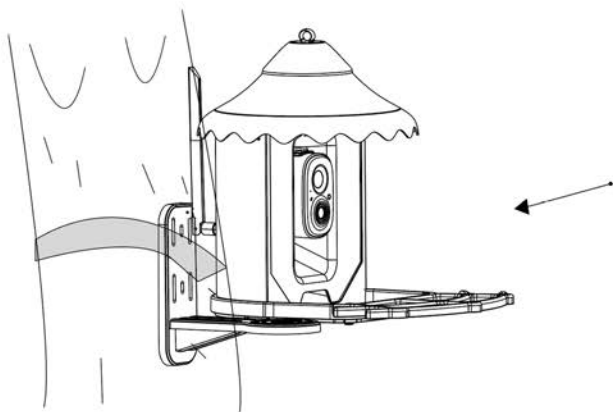
Utilice los tornillos de la percha para bloquearlo desde abajo.

Instalación de árboles:



Paso 1

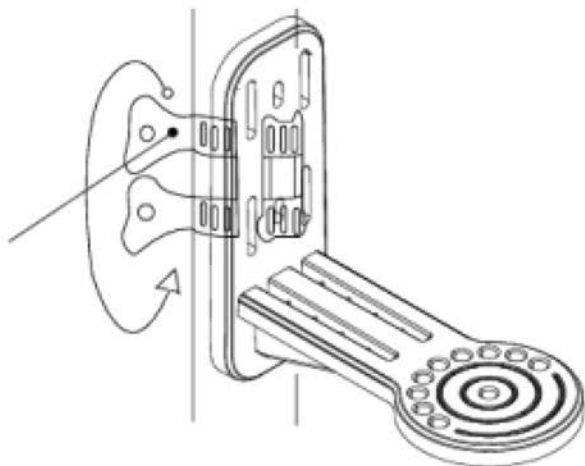
Envuelva el soporte del comedero para pájaros alrededor del árbol usando la correa negra.



Paso 2

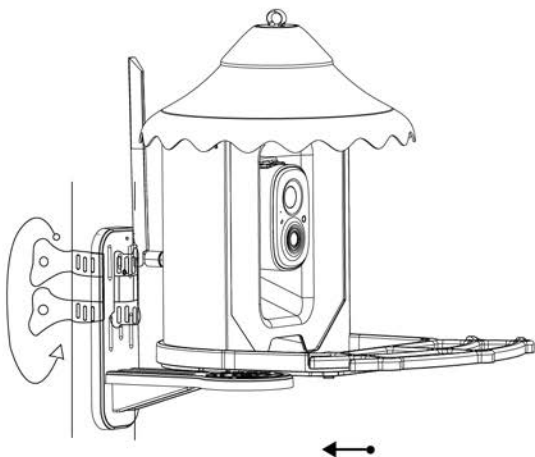
Deslice el comedero Birdsvie en el soporte. Utilice los tornillos de la percha para bloquearlo desde abajo.

Instalación en poste (clip de manguera)



Paso 1

Conecte el comedero Birds View al poste con el clip para manguera girando la manija en el sentido de las agujas del reloj.



Paso 2:

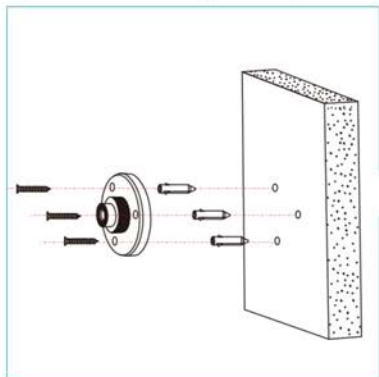
Deslice el comedero Birds View en el soporte a través del riel deslizante. Utilice los tornillos de la percha para bloquearlo desde abajo.

Paso 3 :

Apriete las abrazaderas de manguera girando las manijas en el sentido de las agujas del reloj.

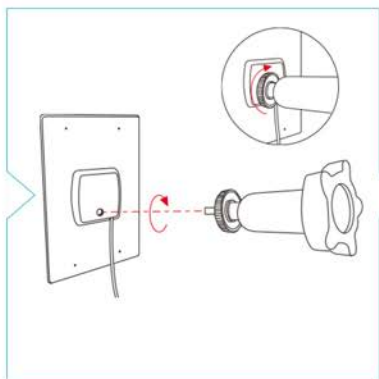
Instalación de Panel Solar

Opción 1: montaje independiente



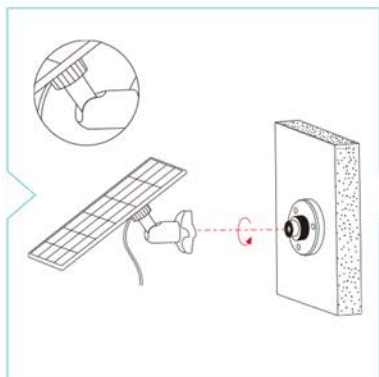
Paso 1

Fije la base de montaje con los tornillos incluidos.



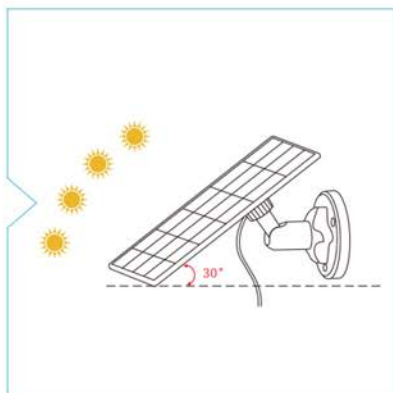
Paso 2:

Atornille el panel solar al soporte.



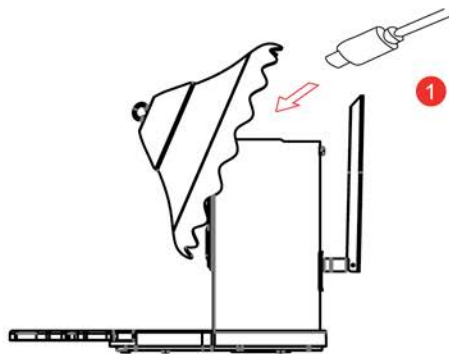
Paso 3:

Fije el panel a la base.



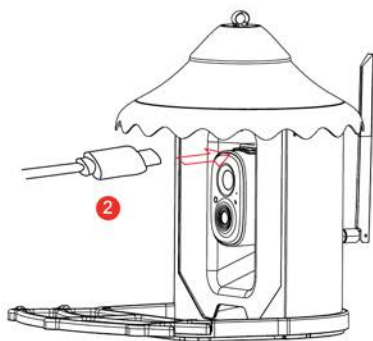
Etapa 4:

Ajuste el ángulo para maximizar la exposición a la luz solar.



Paso 5:

Conecte los paneles solares al puerto de carga del comedero para pájaros con el cable de carga tipo C de 3 metros de largo equipado.



Opción 2: montaje encima del comedero para pájaros



Paso 1: conexión del cable

Conecte el cable del panel solar de forma segura a la cámara, asegurándose de que esté correctamente encaminado desde la parte posterior del alimentador. Asegúrese de que pase por las áreas designadas para el cierre adecuado del comedero.



Paso 2: cerrar el techo del alimentador

Cierre de forma segura el techo del comedero para pájaros para prepararlo para la instalación.



Paso 3: coloque el soporte del panel solar

Conecte el soporte del panel solar al panel solar como preparación para el montaje.



Paso 4: conecte el soporte del panel solar

Identifique el punto de montaje designado en la parte superior del alimentador como se muestra a continuación. Fije el soporte del panel solar al techo del alimentador para mayor estabilidad durante la instalación.



Paso 5: Asegure el panel solar

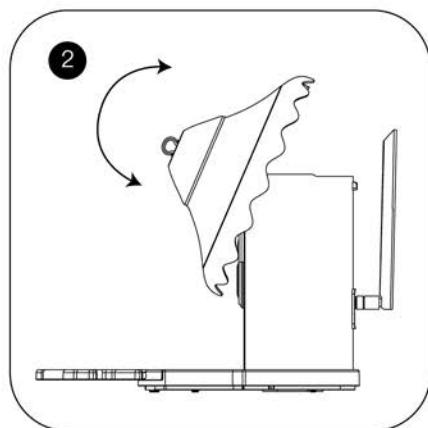
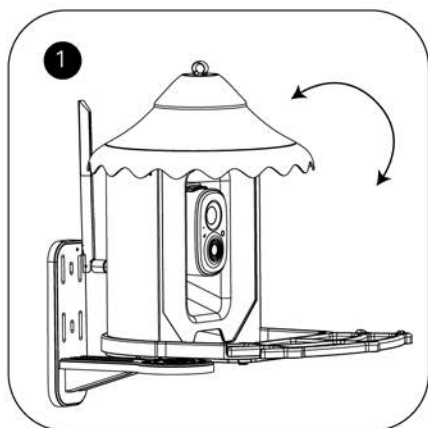
Fije el panel solar de forma segura al alimentador, completando el proceso de instalación.

Limpeza de la cámara del alimentador Birdsvew

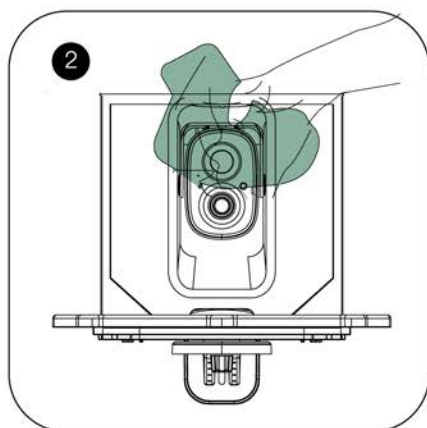
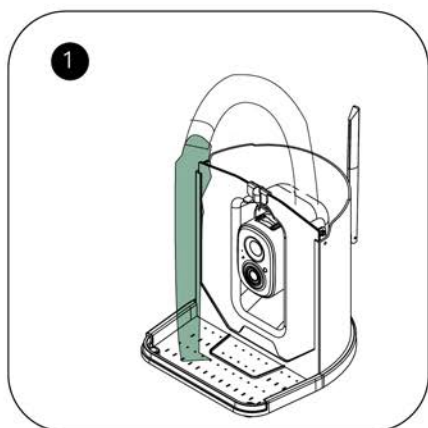


Paso 1: Desenchufe el cable de carga y coloque la funda de silicona.

Paso 2: Usando la pestaña de extracción en la base del comedero, retire la cámara del comedero Birdsvew del soporte.

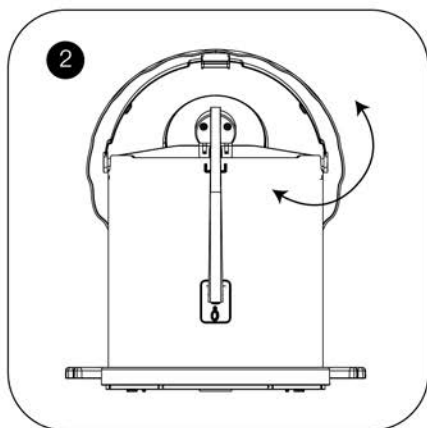
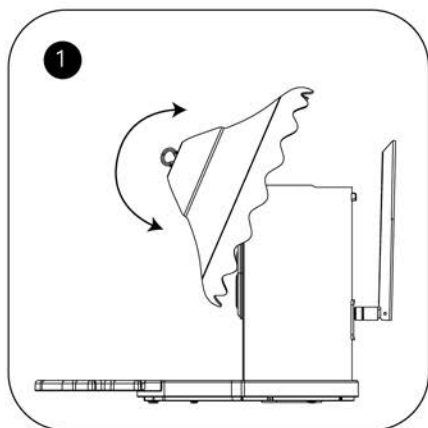


Paso 3: Abra la hebilla en la parte posterior del comedero Birdsvew y tire hacia arriba del techo para abrir.

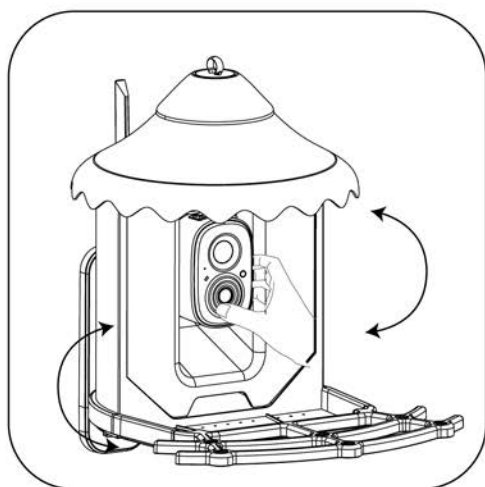


Etapa 4: Vierta agua en la parte superior del depósito de semillas. No lave la cámara ni ninguno de sus componentes. Son resistentes al agua, no impermeables.

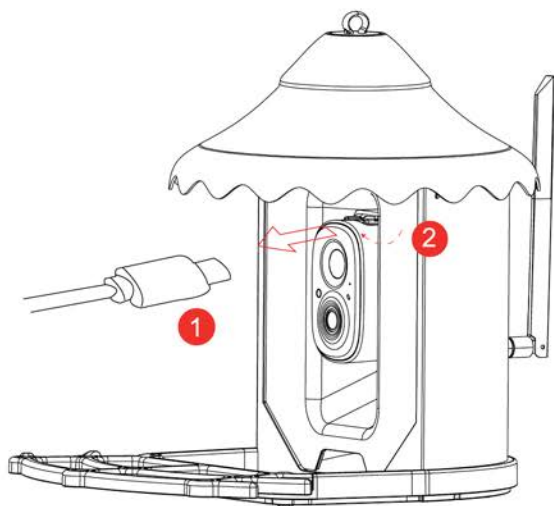
Seque el comedero, incluido el depósito de semillas.



Paso 5: Vuelva a colocar el techo: Empuje el techo hacia abajo y enganche los broches en la parte posterior del comedero Birdview.



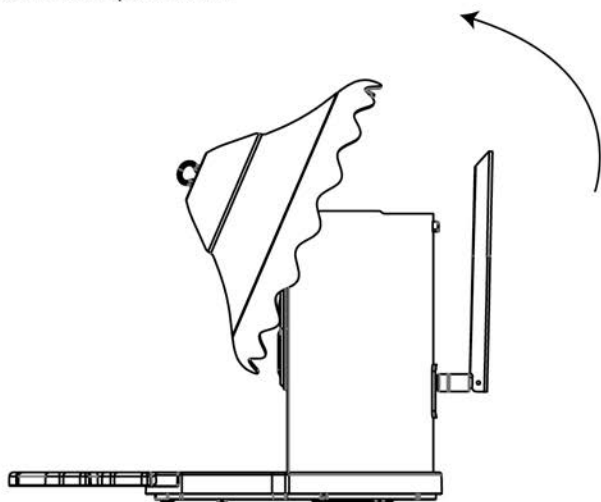
Paso 6: Vuelva a colocar el soporte en la base del comedero Birds View. Ajuste el ángulo tanto del comedero para pájaros como de la cámara.



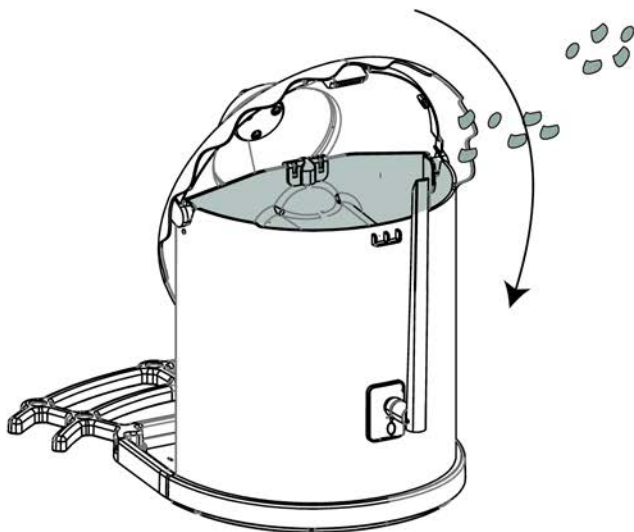
Paso 7: Abra el tapón de silicona y vuelva a enchufar el Panel Solar.

Cómo agregar semillas para pájaros

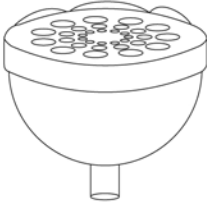
Paso 1: Abra la hebilla en la parte posterior del comedero Birdsvie y tire hacia arriba del techo para abrir.



Paso 2: Puedes agregar alpiste. Finalmente, cierre el techo.



Usando el comedero para colibríes

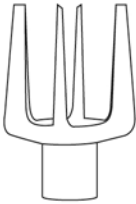


El comedero para pájaros Birdsvie viene con un comedero para colibríes especialmente diseñado para atraer más pájaros. Puedes colocarle miel.

Paso 1: Desenrosque la tapa del comedero para colibríes. Puedes verter miel. Gírelo fuerte nuevamente.

Paso 2: Inserta el comedero para colibríes en la percha.

Usando el frutero



El comedero para pájaros Birdsvie viene con un soporte para frutas especialmente diseñado para atraer más pájaros. Puedes colocar encima naranjas, manzanas u otro tipo de frutas.

Paso 1: Atornille firmemente el soporte para frutas en la percha para pájaros, asegurándose de que esté bien sujeto para evitar que se caiga.

Paso 2: inserta la fruta en el soporte.

Preguntas frecuentes

P: ¿Se puede recargar la cámara desde la electricidad de casa con un enchufe o USB?

R: Sí, debes recargar la cámara desde la electricidad de tu casa mediante un enchufe o USB, incluso antes de instalarla en el exterior. La cámara no viene completamente cargada debido a normas de seguridad. Antes de usarlo por primera vez, cárguelo durante 14 horas con el cable de carga dentro de la caja (DC5V / 1A). Birds View ofrece almacenamiento gratuito por hasta 3 días. Además, los usuarios pueden ampliar el almacenamiento suscribiéndose a un plan de almacenamiento o usando una tarjeta SD para almacenamiento local.

P: ¿Existe un plan de prueba para probar las funciones de IA?

R: Sí, puede explorar nuestra prueba gratuita de 30 días del Plan Awareness Plus, que incluye almacenamiento en la nube de cortesía y alertas y reconocimiento de aves mediante IA.

P: ¿Qué tan difícil es limpiar la cámara?

R: Sólo necesitas limpiar la lente de la cámara un par de veces al año.

P: ¿Resistirá el clima lluvioso?

R: La cámara está protegida por el techo y está colocada en el soporte de plástico para alimentos, pero es posible que sea necesario limpiarla de vez en cuando.

P: ¿Qué tipo de comida para pájaros sugerirías?

R: Las semillas de girasol negras son una buena opción.

P: ¿Qué comida debo preparar para los pájaros?

R: A muchas aves les gustan los corazones de girasol o las semillas de girasol de aceite negro. Algunos también disfrutaban del maní sin sal.

P: ¿Esto apoyará a un águila calva?

R: Probablemente no si lo subes y bajas regularmente.

P: ¿Qué aplicación utiliza para ver?

R: Utiliza la aplicación Vicohome. Consulte la guía de instalación de Vicohome para obtener más información.

P: ¿Se requiere una tarjeta micro SD para que la unidad funcione?

R: No, no se requiere una tarjeta microSD para que la unidad funcione, pero es necesaria si desea guardar sus videos.

P: ¿Funcionará esto para ver colibríes?

R: Sí, lo será. Simplemente conecta el comedero para colibríes que viene dentro de la caja. Los colibríes normalmente no comen semillas.

P: ¿Podemos ver pájaros comiendo de noche?

R: La cámara tiene una función de visión nocturna, por lo que puedes ver los pájaros por la noche, pero generalmente no comen por la noche. Puedes verlos descansando en su lugar.

P: ¿Puedes desactivar las notificaciones?

R: Sí, puedes desactivar las notificaciones en la configuración de la aplicación Vico Home.















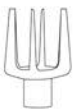


P: ¿Es compatible con dispositivos Android e iOS?

R: Sí, es compatible con la mayoría de los dispositivos Android e iOS, como teléfonos y tabletas.

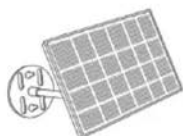
جدول المحتويات

05 ماذا في الصندوق
06 هيكل الكاميرا
08 أدخل بطاقة مايكرو SD
09 تجميع تغذية الطيور
12 شحن الكاميرا
13 كيفية تشغيل وإيقاف الكاميرا
14 اقرأ قبل التثبيت
14 قم بالإعداد باستخدام تطبيق VicoHome
18 تثبيت
22 تركيب الألواح الشمسية
26 تنظيف كاميرا تغذية الطيور
29 كيفية إضافة بذور الطيور
30 التعليمات

ماذا في الصندوق

 Roof		 X 2	
Roof	Perch	Perch Screw	Feeder & Camera
	 X 2		
Mounting Bracket	Black Strap	Ejector Pin	
 X 2	 X 2	 X 2	 X 3
Hose Clips (Small)	Hose Clips (large)	Screws for mounting on wood	Anchors
	 X 2		
	Screws for mounting on concrete	Type-C charging cable	
			
Humming Bird Feeder	Fruit Fork	Vicohome App User Guide	User Manual

طعم تركيب الألواح الشمسية



لوحة للطاقة الشمسية



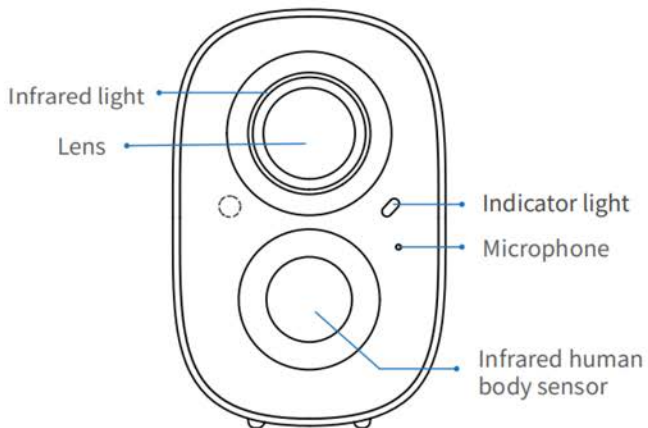
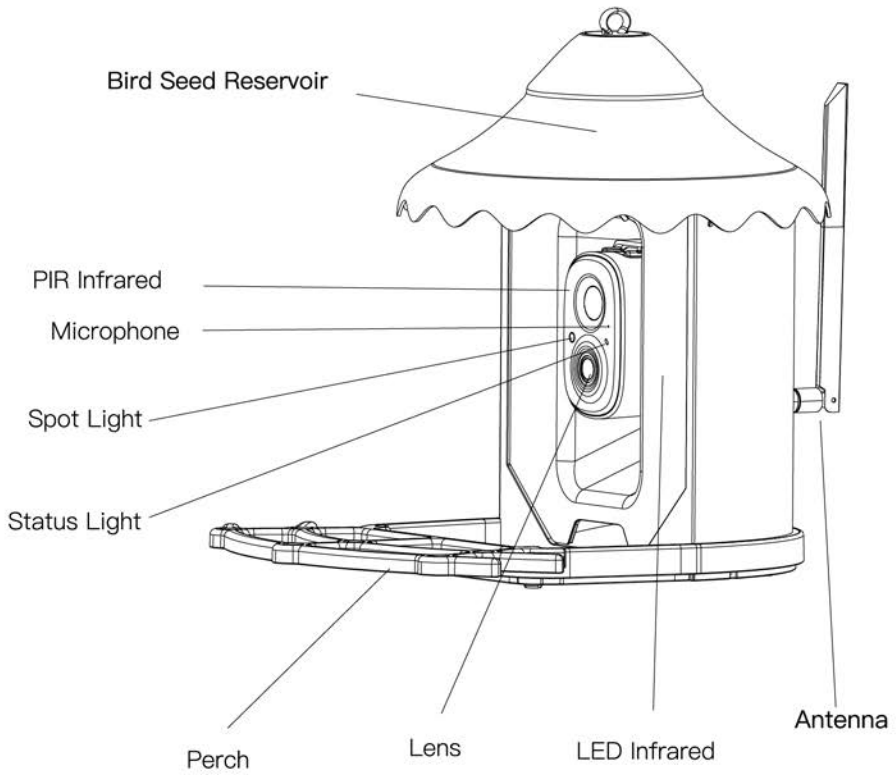
مسامير والبراسي

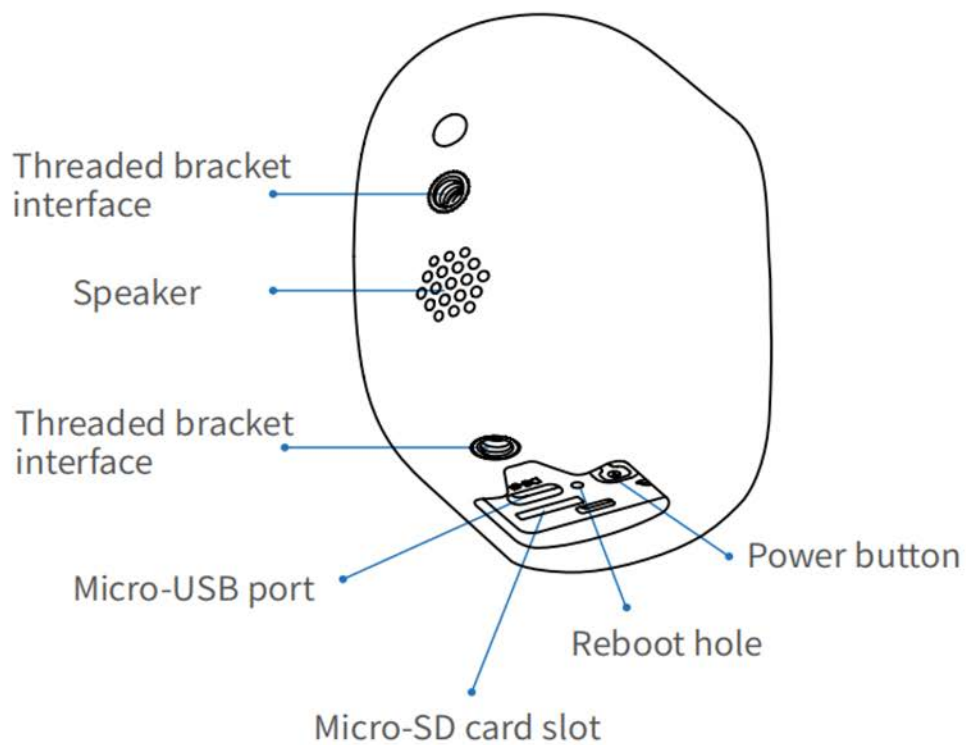
قوس التثبيت
الجزء الخلفي من الألواح
الشمسية

قوس التثبيت

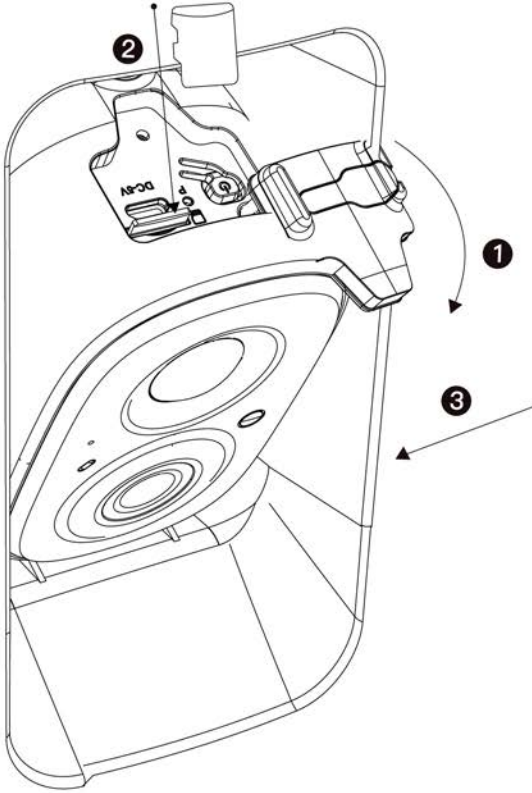
قوس التثبيت
أعلى منظر الطيور

هيكل الكاميرا





أدخل بطاقة SD الصغيرة

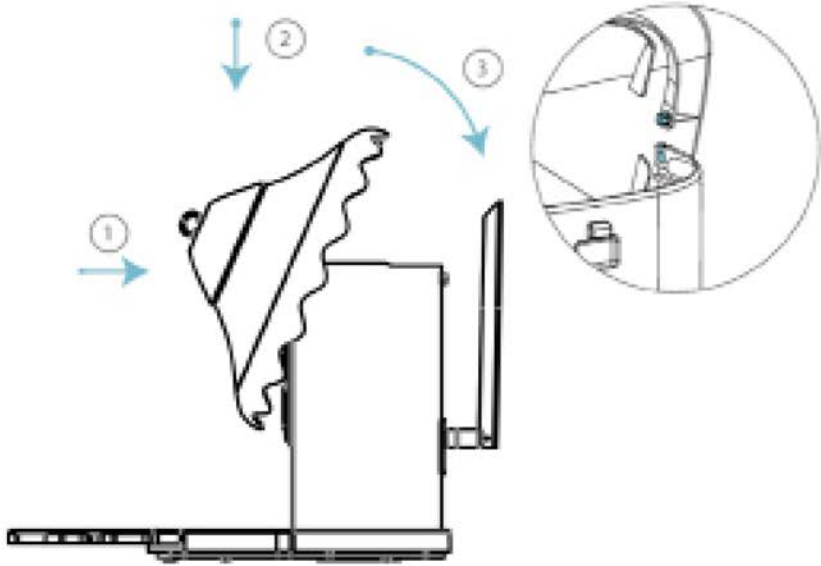


يتميز BirdsView Bird Feeder بفتحة بطاقة مدمجة متوافقة مع بطاقات microSD، مما يوفر سعة تخزين تصل إلى 128 جيجابايت.

- الخطوة 1: قم بتدوير الكاميرا للأسفل.
- الخطوة 2: افتح غطاء السيليكون وأدخل بطاقة microSD، مع التأكد من وضعها بشكل صحيح مع توجيه الملصق لأعلى.
- الخطوة 3: استبدل غطاء السيليكون بشكل آمن.

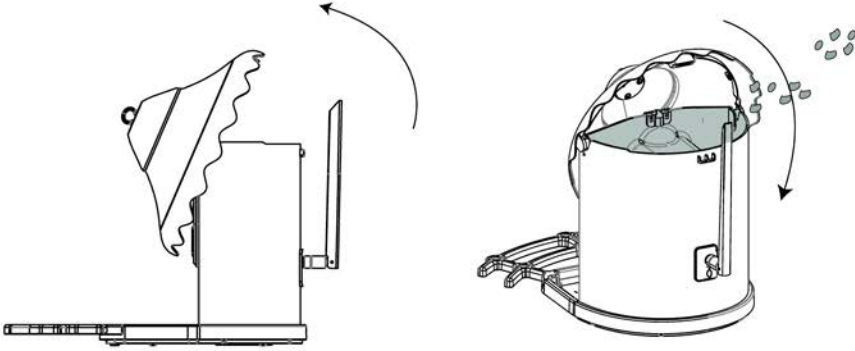
تجميع تغذية الطيور

تجميع السقف



- الخطوة 1: ضع جانب السقف بحيث تكون الأجزاء متجهة للأعلى. قم بمحاذاة الأعمدة الصغيرة على الجانبين الأيسر واليمين مع أجزء حاوية بذور الطيور البيضاء.
- الخطوة 2: اضغط لأسفل بقوة لإدخاله.
- الخطوة 3: قم بتدوير السقف للخلف لتأمين الإبريم خلف حاوية بذور الطيور البيضاء.

ملء المغذية بالبذور



تأكد من حصول ضيوفك من الريش على وجباتهم الخفيفة المفضلة باتباع الخطوات التالية:

1. اضغط على الزر لفتح سقف وحدة التغذية.
2. املا وحدة التغذية بمجموعة متنوعة من البذور التي تستمتع بها الطيور، مثل الدخن الأبيض، وبذور عباد الشمس الزيتية السوداء، والذرة المتشققة، والميلو، وبذور عباد الشمس المخططة، وبذور القرطم.

تجميع حامل الطيور (جثم)

لإعداد حامل الطيور بشكل صحيح لوحدة تغذية **Birds View**، اتبع الخطوات التالية:

- استخدم برغي حامل الطيور المرفق لتثبيت حامل الطيور بشكل آمن في المكان المطلوب. تأكد من وضع الحامل بشكل ثابت لدعم وحدة التغذية وتوفير مكان آمن لاستراحة الطيور الزائرة. استخدم الأدوات المناسبة لتثديد المسامير لتحقيق الاستقرار والمتانة الأمثل.

باتباع تعليمات التجميع هذه، يمكنك التأكد من أن وحدة تغذية **Birds View** الخاصة بك مجهزة بشكل صحيح بحامل الطيور القوي والموثوق، مما يعزز الأداء العام وجاذبية إعداد مراقبة الطيور لديك.

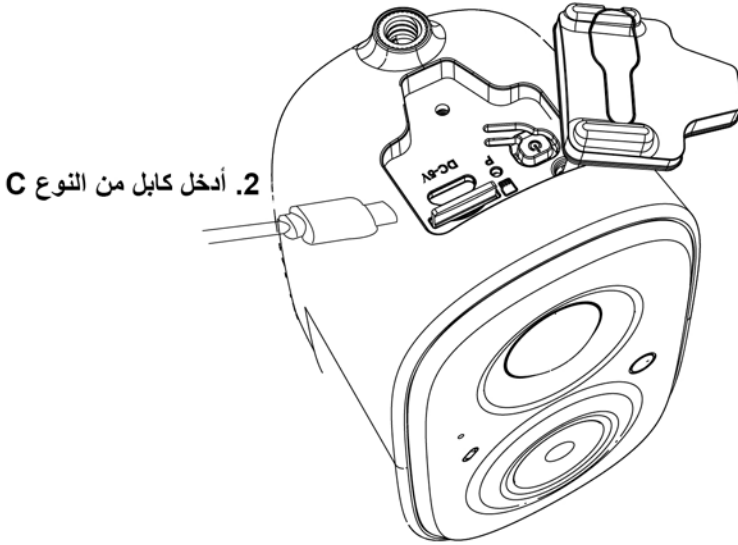


شحن الكاميرا

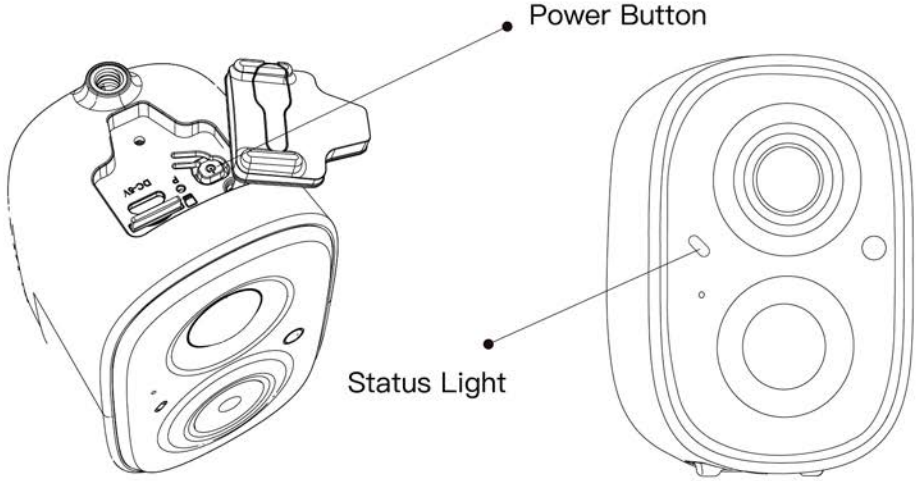
قم بإعداد كاميرا Birds View الخاصة بك للحصول على الأداء الأمثل من خلال التأكد من شحن البطاريات بالكامل قبل الاستخدام. ابدأ بشحن الكاميرا باستخدام كابل المنفذ من النوع C المرفق (محول DC5V / 1.5A غير مضمن).

أثناء الشحن، لاحظ مصباح الحالة، الذي ينبعث منه وهج أصفر ثابت، مما يشير إلى أن الكاميرا قيد الشحن حالياً. بمجرد اكتمال عملية الشحن، سيتحول ضوء الحالة إلى اللون الأخضر الثابت. عادة، تستغرق هذه العملية حوالي 14 ساعة. ومن الضروري إبقاء الكاميرا متصلة بمصدر الطاقة حتى يتحول ضوء الحالة إلى اللون الأخضر، للإشارة إلى انتهاء عملية الشحن. مع الكاميرا المشحونة بالكامل، أنت مجهز لالتقاط وتوثيق اللحظات الجذابة لنشاط الطيور دون عناء.

1. افتح السيليكون



كيفية تشغيل وإيقاف الكاميرا



لتشغيل الكاميرا:

اضغط على زر الطاقة لإيقاظ الكاميرا. بمجرد وميض الضوء الأزرق وسماع صوت تغريد لطيف، تكون الكاميرا الخاصة بك جاهزة للاتصال.

لإيقاف تشغيل الكاميرا:

اضغط لفترة طويلة على زر الطاقة لمدة 3 ثوان لإيقاف تشغيل الكاميرا. سيتم بعد ذلك إيقاف تشغيل ضوء الحالة الموجود في الجزء الأمامي من الكاميرا.

ضوء الحالة: ضوء حالة مستخدمى كاميرا Birdview للتواصل.

	LED Indicator	Description
	Solid Blue	Recording
	None	Sleep/Power Off
	Solid Yellow	Charging
	Solid Green	Charging Finished

اقرأ قبل التثبيت

احتياطات السلامة:

- حافظ على وحدة تغذية Birdsvew وجميع الملحقات بعيدًا عن متناول الأطفال والحيوانات الأليفة.
- تأكد من شحن الكاميرا بالكامل بمصدر طاقة DC5V / 1.5A.
- تتراوح درجة حرارة التشغيل من 10- درجة مئوية إلى 50 درجة مئوية (14 درجة فهرنهايت إلى 122 درجة فهرنهايت).
- الرطوبة النسبية أثناء التشغيل: 0-95%.


ملاحظات هامة:

- تجنب تعريض عدسة الكاميرا لأشعة الشمس المباشرة.
- تحمل الكاميرا تصنيف IP65 لمقاومة الماء، مما يتيح الأداء المناسب في المطر أو الثلج، ولكن لا ينبغي غمرها في الماء.
- تعمل كاميرا Birds View Feeder Cam فقط مع شبكة Wi-Fi بتردد 2.4 جيجا هرتز.
- قد تتداخل مصادر الإضاءة القوية مع إمكانية مسح رمز QR الخاص بالجهاز.
- ضع الجهاز بعيدًا عن الأثاث أو منتجات الميكروويف وتأكد من بقائه ضمن نطاق إشارة Wi-Fi لديك.

قم بالإعداد باستخدام تطبيق VicoHome

للبدء، قم بتنزيل VicohomeApp من App Store أو Google Play. اتبع التعليمات الموجودة في التطبيق لإكمال عملية الإعداد بسلاسة.



ملحوظة: للحصول على معلومات إضافية حول تثبيت تطبيق Vicohome، يرجى الرجوع إلى دليل تثبيت Vicohome. 



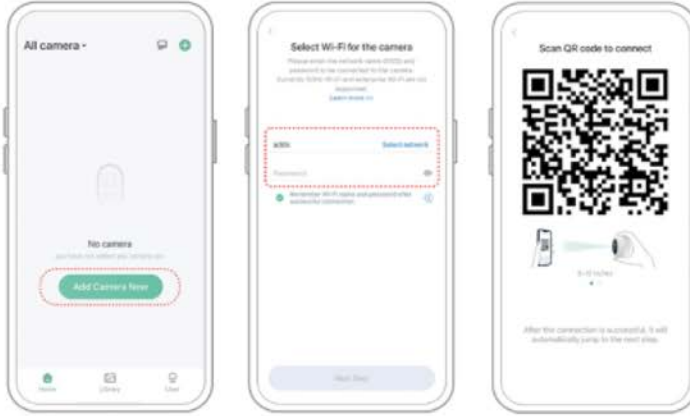
تشغيل/إيقاف الطاقة وتكوين الشبكة:

- اضغط على زر الطاقة لإيقاف الكاميرا. بمجرد وميض الضوء الأزرق وسماع صوت تغريد لطيف، تكون الكاميرا جاهزة للاتصال.

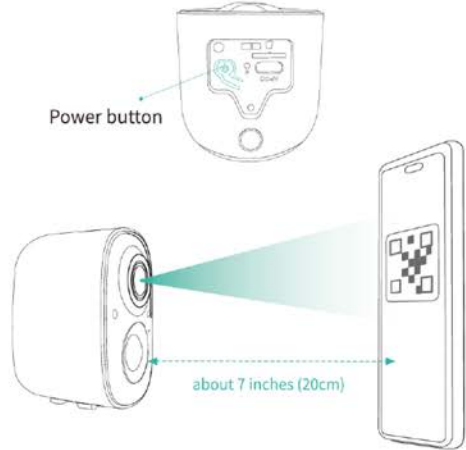
عند توصيل الكاميرا لأول مرة، استخدم التطبيق واتبع التعليمات لتكوين شبكة الكاميرا.



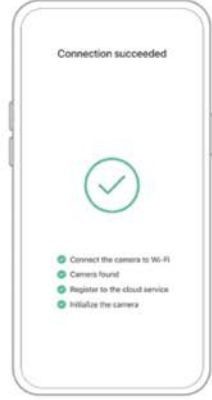
قم بإعداد الكاميرا



1. انقر على "إضافة كاميرا الآن" في التطبيق وأدخل اسم شبكة Wi-Fi وكلمة المرور التي تريد أن تتصل بها الكاميرا. لضمان اتصال أطول مسافة، تدعم الكاميرا فقط شبكة Wi-Fi بتردد 2.4 جيجا هرتز مع قدرة أقوى على اختراق الجدار ولا تدعم شبكة Wi-Fi للمصادقة على مستوى المؤسسة حالياً. يرجى التأكد من أن شبكة Wi-Fi التي تم إدخالها تلي المتطلبات. بعد الانتهاء، انقر فوق "متابعة" لإنشاء رمز الاستجابة السريعة لإقران الكاميرا.



2. بعد الضغط على مفتاح الكاميرا لمدة 3 ثوان، سيتم تشغيل الكاميرا. في هذه اللحظة، استهدف الكاميرا عند رمز QR الموجود على تطبيق الهاتف المحمول من مسافة 20 سم تقريباً (7 بوصات) حتى تصدر الكاميرا صوت "Di"، مما يشير إلى نجاح المسح وبدء الاقتران.



3. بعد فترة من الوقت، ستصدر الكاميرا صوتًا يشير إلى نجاح الاتصال. في هذه اللحظة، يرجى تعيين اسم للجهاز على التطبيق واختيار الموقع الذي تريد وضع الجهاز فيه. انقر على "متابعة" لإكمال عملية الاقتران.

تثبيت

قبل متابعة التثبيت، تأكد مما يلي:

A. التكمال مع تطبيق Vicohome: تأكد من إضافة كاميرا BirdsView بنجاح إلى تطبيق Vicohome الخاص بك وأنها قادرة على بث الفيديو.

ب. اختيار الموقع المناسب: قم بتثبيت الكاميرا في وضع خالٍ من العوائق لضمان الرؤية المثالية. تأكد من بقاءه ضمن نطاق تغطية شبكة Wi-Fi الخاصة بك.

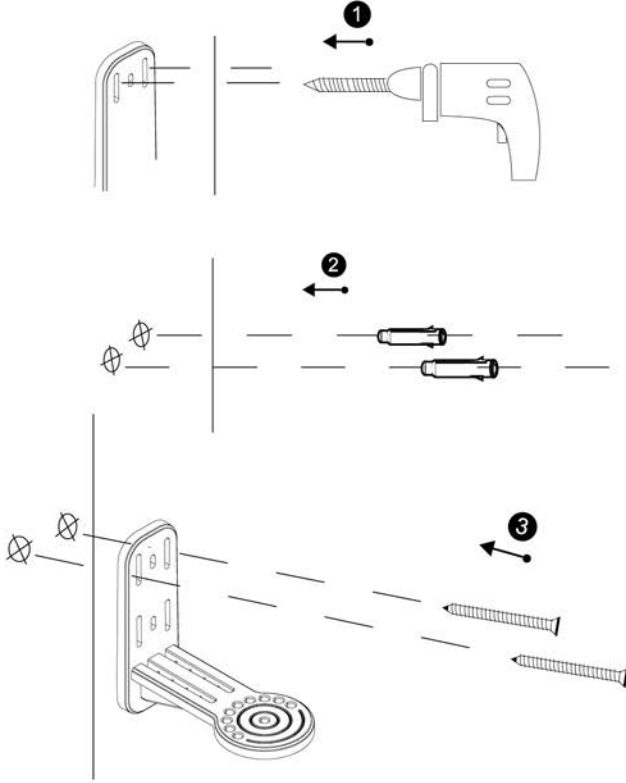


ج. الارتفاع الموصى به: للحصول على رؤية مثالية للطيور، نوصي بتثبيت الكاميرا على ارتفاع يتراوح من 2.2 إلى 3.5 متر (7.2 إلى 11.5 قدم). وضعه في منطقة مفتوحة يسهل اكتشاف الطيور.

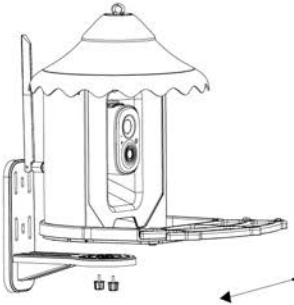
د. طرق التثبيت: توفر كاميرا BirdsView ثلاث طرق للتثبيت لاستيعاب التفضيلات والبيئات المختلفة. اختر الطريقة التي تناسب احتياجاتك والبيئة المحيطة بك.

تركيب الجدار/الحامل:

الخطوة 1.



1. استخدم قالب الحفر المرفق لتحديد موضع الثقوب على الحائط الخاص بك. احفر فتحتين باستخدام لقمة ثقب مقياس 5/16 بوصة (8 مم).
2. قم بتثبيت المراسي لتثبيت البراغي.
3. قم بتثبيت دعامة تغذية Birdsvie على الحائط الخاص بك باستخدام البراغي المتوفرة.

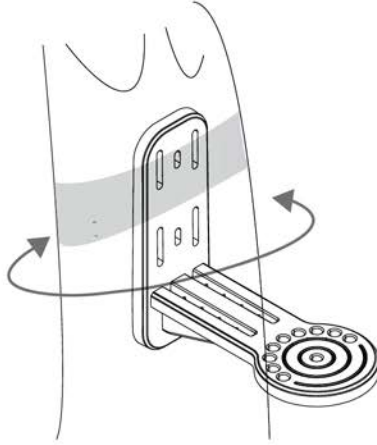


الخطوة 2.

قم بتحريك وحدة تغذية عرض الطيور داخل الحامل من خلال حاجز الانزلاق.

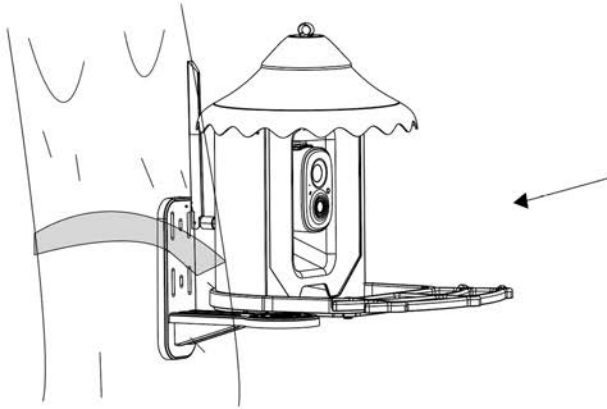
استخدم براغي الجثم لقلبه من الأسفل.

تركيب الشجرة:



الخطوة 1

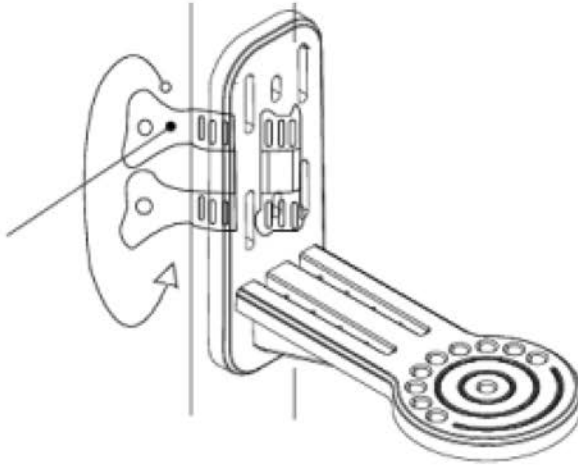
قم بلف حامل تغذية الطيور حول الشجرة باستخدام الحزام الأسود.



الخطوة 2

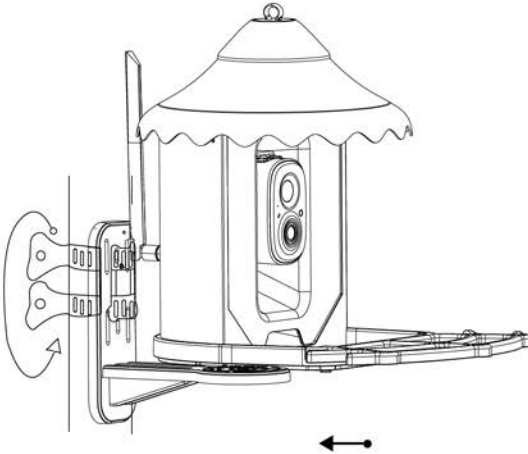
قم بتحريك وحدة تغذية Birdsvew داخل الحامل. استخدم براغي الجثم لقفله من الأسفل.

تركيب القطب (مشبك الخرطوم)



الخطوة 1

قم بتوصيل وحدة تغذية عرض الطيور بالعمود باستخدام مشبك الخرطوم الذي يدير المقبض في اتجاه عقارب الساعة.



الخطوة 2:

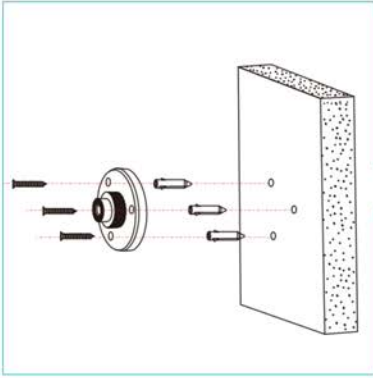
قم بتحريك وحدة تغذية Birds View داخل الحامل من خلال حاجز الانزلاق. استخدم براغي الجثم لقفله من الأسفل.

الخطوة 3 :

قم بربط مشابك الخرطوم عن طريق تدوير المقابض في اتجاه عقارب الساعة.

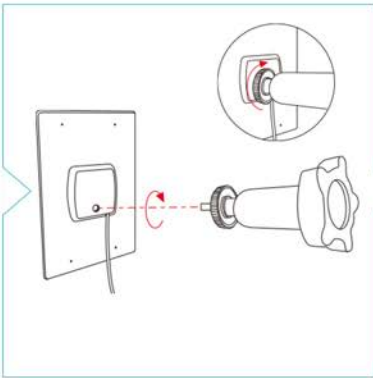
تركيب الألواح الشمسية

الخيار 1: التركيب المستقل



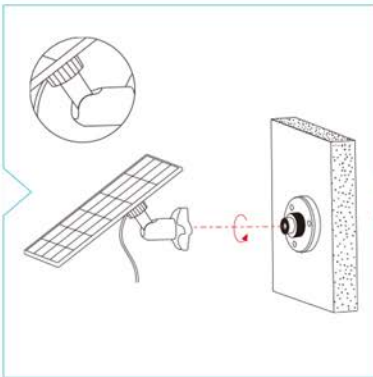
الخطوة 1

ثبت قاعدة التثبيت باستخدام البراغي المضمنة.



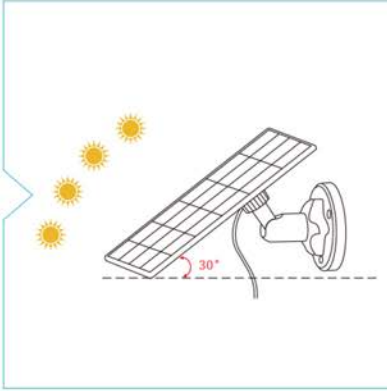
الخطوة 2:

قم بربط اللوحة الشمسية بالقوس.



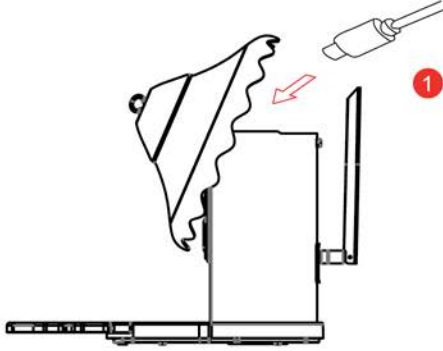
الخطوة 3:

نعلق اللوحة على القاعدة.



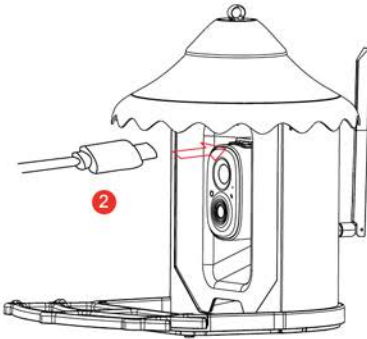
الخطوة 4:

اضبط الزاوية لتعظيم التعرض لأشعة الشمس.



الخطوة 5:

قم بتوصيل الألواح الشمسية بمنفذ الشحن الخاص بوحدة تغذية الطيور باستخدام كابل الشحن من النوع C بطول 3 أمتار.



الخيار 2: التثبيت أعلى وحدة تغذية الطيور



الخطوة 1: اتصال الكابل

قم بتوصيل كابل اللوحة الشمسية بالكاميرا بشكل آمن، مع التأكد من توجيهها بدقة من الجزء الخلفي لوحدة التغذية. تأكد من مروره عبر المناطق المخصصة لإغلاق وحدة التغذية بشكل صحيح.



الخطوة 2: أغلق سقف وحدة التغذية

قم بإغلاق سقف وحدة تغذية الطيور بشكل آمن للتحمير للتركيب.



الخطوة 3: إرفاق قوس الألواح الشمسية

قم بتوصيل دعامة اللوحة الشمسية باللوحة الشمسية استعدادًا للتركيب.



الخطوة 4: قم بتوصيل حامل اللوحة الشمسية

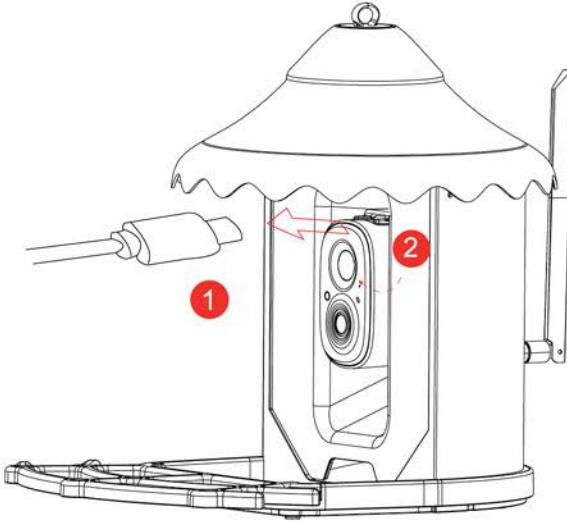
حدد نقطة التثبيت المخصصة أعلى وحدة التغذية كما هو موضح أدناه. قم بتوصيل حامل اللوحة الشمسية بسقف وحدة التغذية لتحقيق الثبات أثناء التثبيت.



الخطوة 5: تأمين الألواح الشمسية

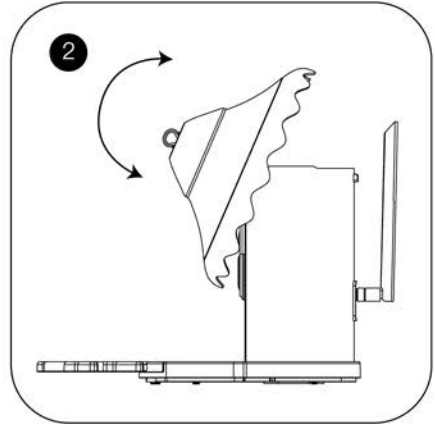
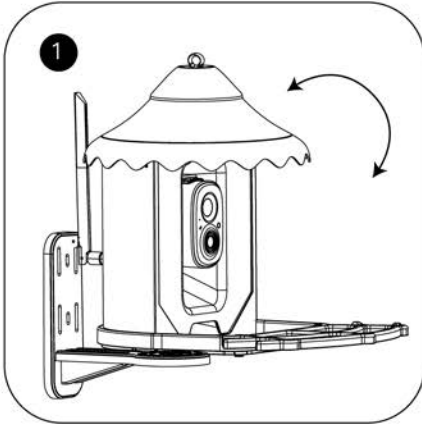
قم بتثبيت اللوحة الشمسية بشكل آمن على وحدة التغذية، لإكمال عملية التثبيت.

تنظيف كاميرا تغذية الطيور

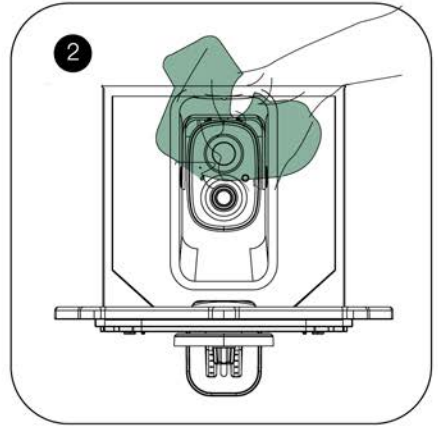
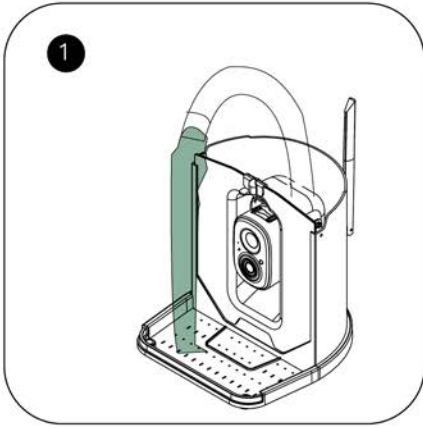


الخطوة 1: افصل كابل الشحن وضعه على غطاء السيليكون.

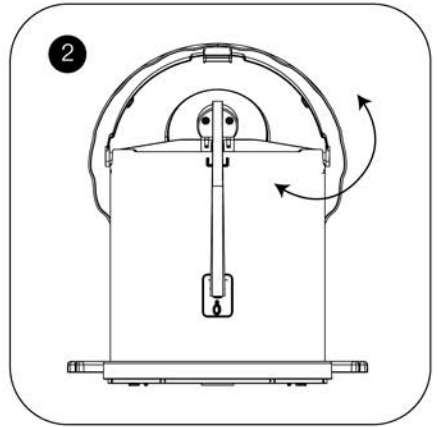
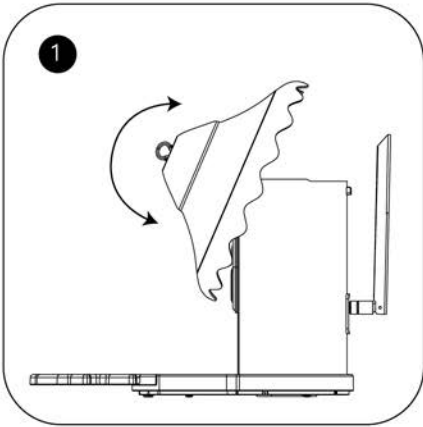
الخطوة 2: باستخدام علامة التبويب السحب الموجودة على قاعدة وحدة التغذية، قم بإزالة كاميرا Birdview Feeder من الحامل.



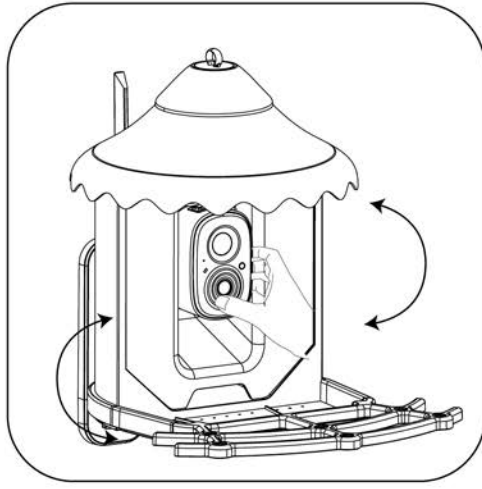
الخطوة 3: افتح الإبزيم الموجود في الجزء الخلفي من وحدة تغذية Birdview، واسحبه لأعلى لفتحه.



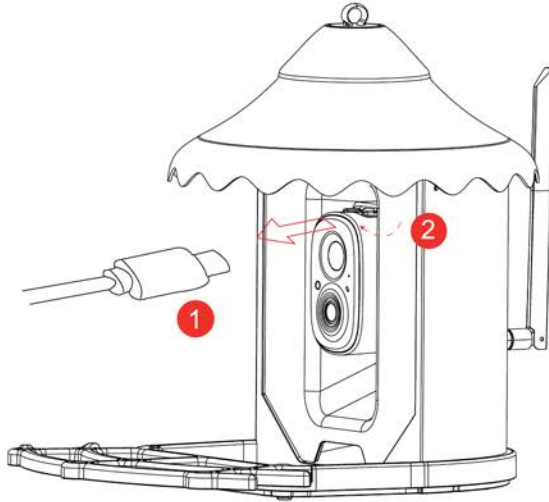
الخطوة 4: صب الماء في الجزء العلوي من خزان البذور. لا تغسل الكاميرا أو أيًا من مكوناتها. فهي مقاومة للماء وليست مقاومة للماء. تجفيف وحدة التغذية، بما في ذلك خزان البذور.



الخطوة 5: إعادة تركيب السقف: ادفع السقف للأسفل وقم بتشغيل اللقطات الموجودة في الجزء الخلفي من وحدة تغذية Birdview.



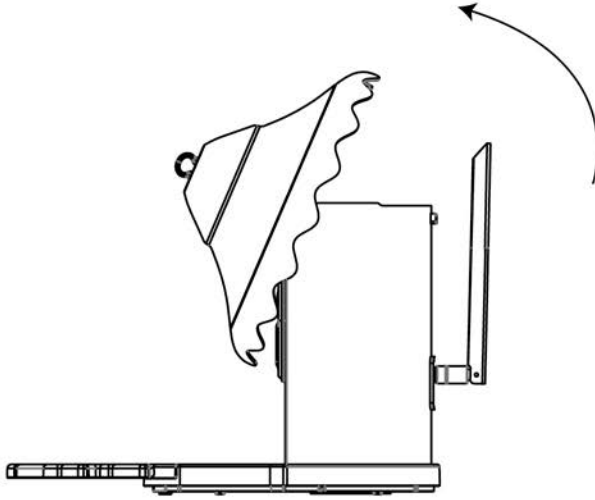
الخطوة 6: أعد توصيل الدعامة بقاعدة تغذية Birds View. اضبط الزاوية لكل من وحدة تغذية الطيور والكاميرا.



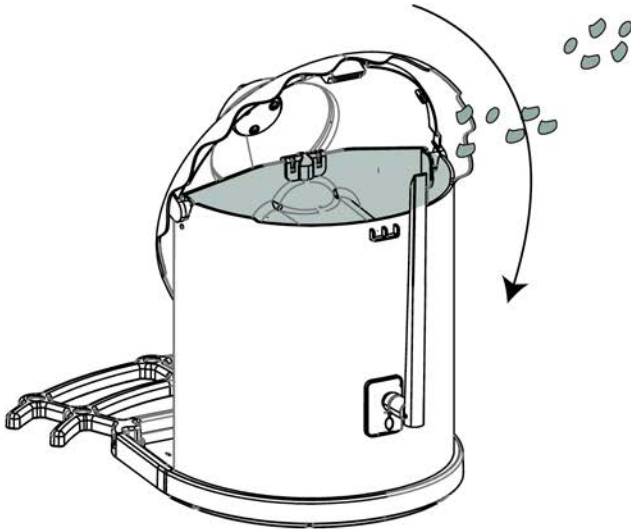
الخطوة 7: افتح قابس السيليكون، وأعد توصيل اللوحة الشمسية.

كيفية إضافة بذور الطيور

الخطوة 1: افتح الإبزيم الموجود في الجزء الخلفي من وحدة تغذية Birdview، واسحبه لأعلى لفتحه.



الخطوة 2: يمكنك إضافة بذور الطيور. وأخيرا، أغلق السقف مرة أخرى.

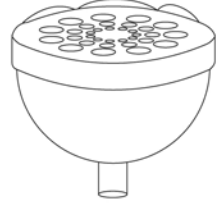


استخدام وحدة تغذية الطائر الطنان

تأتي وحدة تغذية الطيور Birdsvew مع وحدة تغذية الطيور الطنانة المصممة خصيصاً لجذب المزيد من الطيور. يمكنك وضع العسل عليه.

الخطوة 1: قم بلف غطاء تغذية الطيور الطنانة. يمكنك صب العسل. تحريفها بقوة مرة أخرى.

الخطوة 2: أدخل وحدة تغذية الطيور الطنانة على الفرخ.

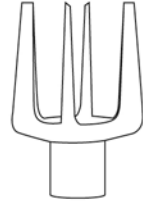


استخدام حامل الفاكهة

تأتي وحدة تغذية الطيور Birdsvew مع حامل فواكه مصمم خصيصاً لجذب المزيد من الطيور. يمكنك وضع البرتقال أو التفاح أو أي نوع آخر من الفاكهة عليه.

الخطوة 1: قم بتثبيت حامل الفاكهة بشكل آمن على مجثم الطيور، مع التأكد من تثبيته بإحكام لمنعه من السقوط.

الخطوة 2: أدخل الفاكهة على الحامل.



الأسئلة الشائعة

س: هل يمكن شحن الكاميرا من كهرباء المنزل بالقابس أو USB؟

ج: نعم، يجب عليك إعادة شحن الكاميرا من كهرباء المنزل باستخدام قابس أو USB، حتى قبل إعدادها بالخارج. لا تأتي الكاميرا مشحونة بالكامل بسبب لوائح السلامة. قبل استخدامه لأول مرة، يرجى شحنه لمدة 14 ساعة باستخدام كابل الشحن الموجود داخل العلبة (DC5V / 1A). يوفر Birds View مساحة تخزينية مجانية لمدة تصل إلى 3 أيام. بالإضافة إلى ذلك، يمكن للمستخدمين توسيع مساحة التخزين من خلال الاشتراك في خطة تخزين أو استخدام بطاقة SD للتخزين المحلي.

س: هل هناك خطة تجريبية لتجربة ميزات الذكاء الاصطناعي؟

ج: نعم، يمكنك استكشاف النسخة التجريبية المجانية لمدة 30 يوماً من خطة Awareness Plus Plan، والتي تتضمن تخزيناً سحابياً مجانيًا والتعرف على الطيور وتنبئتها باستخدام الذكاء الاصطناعي.

س: ما مدى صعوبة تنظيف الكاميرا؟

ج: ما عليك سوى مسح عدسة الكاميرا عدة مرات في السنة.

س: هل سيصمد أمام الطقس الممطر؟

ج: الكاميرا محمية بالسقف ومثبتة في حامل الطعام البلاستيكي، ولكن قد تحتاج إلى مسحها من حين لآخر.

س: ما هو نوع طعام الطيور الذي تقترحه؟

ج: تعتبر بذور عباد الشمس السوداء خيارًا جيدًا.

س: ما هو الطعام الذي يجب أن أعده للطيور؟

ج: العديد من الطيور تحب قلوب عباد الشمس أو بذور عباد الشمس ذات الزيت الأسود. يستمتع البعض أيضًا بالفول السوداني غير المملح.

س: هل سيدعم هذا النسر الأصلع؟

ج: ربما لا إذا كان يتم القفز عليه وإيقافه بانتظام.

س: ما هو التطبيق الذي يستخدمه للعرض؟

ج: يستخدم تطبيق Vicohome. راجع دليل تثبيت Vicohome لمزيد من المعلومات.

س: هل يلزم وجود بطاقة SD صغيرة لكي تعمل الوحدة؟

ج: لا، بطاقة microSD غير مطلوبة لكي تعمل الوحدة، ولكنها ضرورية إذا كنت تريد حفظ مقاطع الفيديو الخاصة بك.

س: هل سيعمل هذا لمشاهدة الطيور الطنانة؟

ج: نعم، سوف يحدث. ما عليك سوى توصيل وحدة تغذية الطائر الطنان الموجودة داخل الصندوق. الطيور الطنانة عادة لا تأكل البذور.

س: هل يمكننا أن نرى الطيور تأكل في الليل؟

ج: تحتوي الكاميرا على وظيفة رؤية ليلية، لذلك يمكنك رؤية الطيور في الليل، ولكنها بشكل عام لا تأكل في الليل. يمكنك رؤيتهم يستريحون بدلاً من ذلك.

س: هل يمكنك إيقاف الإشعارات؟

ج: نعم، يمكنك إيقاف تشغيل الإشعارات في الإعدادات في تطبيق Vico Home.

س: هل هذا متوافق مع أجهزة Android و iOS؟

ج: نعم، فهو متوافق مع معظم أجهزة Android و iOS، مثل الهواتف والأجهزة اللوحية.



BIRDSVIEW

Birdwatching, anytime, anywhere.

Warranty

Share your Amazon Order # with us at info@view-birds.com to activate 2 Year Warranty and receive a 10% OFF Code for your next purchase!



Scan to
register warranty

Feel free to contact us for additional help



info@view-birds.com



BirdsViewHQ



+1 302 476 2457



in-App Chat